

Singer 16-137

Singer 16-141

Form 19796
(142)
Printed in U. S. A.

LIST OF PARTS



MACHINES
Nos. 16-137 and 16-141

THE SINGER MANUFACTURING COMPANY

INSTRUCTIONS FOR OILING

When the machine is received from the factory, it should be thoroughly cleaned and oiled.

At least twice each day, when in continuous use, apply oil to all holes marked "OIL" and to the parts inside the arm and under the bed of the machine which are in movable contact. Also apply a drop of oil to the shuttle bearing in the shuttle race each time a bobbin is replaced.

Use only "Singer Oil for High Speed Sewing Machines" (Cloth and Leather) for general use, or "Singer Stainless Oil for High Speed Sewing Machines" where a stainless oil is desired.

Copyright, U. S. A., 1922, 1941 and 1942
by The Singer Manufacturing Co.
All Rights Reserved for all Countries

INDEX

	Page
Accessories.....	21
Bobbin Winders.....	24 to 27
Binders.....	21 to 24
Corder.....	27
Edge Guide (Roller).....	28
Finger Guard.....	28
Foot Lifter Parts (For 16-137 Machine).....	28
Foot Lifter Parts (For No. 16-141 Machine).....	29
Hemmers (Foot) Plain Bottom.....	30
Knee Lifter Parts (For No. 16-137 Machine).....	31
Knee Lifter Parts (For No. 16-141 Machine).....	31
Machine No. 16-137.....	7
Machine No. 16-141.....	14
Numerical List of Parts.....	35
Roller Pressers (Plain) for No. 16-137 Machine.....	33

From the library of: Diamond Needle Corp

INSTRUCTIONS FOR ORDERING

In ordering from this list, use ONLY the part NUMBER in the FIRST column.

The number stamped on a Sewing Machine Part is in every case the number of the single part only.

Every combination of parts sent out as such has its specific number, which, although not stamped on the parts, must be used when ordering the combination.

Each number always indicates the SAME PART in whatever list it appears, or for whatever machine.

The letters after some of the numbers indicate the style of finish only, as follows:

A-Hardened, Polished, Nickel Plated and Buffed
A.A-Buffed and Chromium Plated
A.B-Hardened, Polished, Buffed and Chromium Plated
A.C-Brown Baking Enamel Finish
A.D-Gray Baking Enamel Finish
A.E-Hardened, Bright Rumbled and Nickel Plated
A.F-Hardened, Bright Rumbled, Nickel Plated, Bright Rumbled and Chromium Plated
A.G-Alumilite, Plain
A.H-Alumilite, Dyed
A.J-Polished, Nickel Plated and Chromium Plated
A.K-Hardened, Polished, Nickel Plated and Chromium Plated
A.L-Heat Treated for Toughness
 B-Polished, Nickel Plated and Buffed
 C-Hardened Only
C.R-Hardened and Merlized
D-Polished Only
E-Soft, Not Polished
F-Hardened and Polished
F.J-Hardened, Polished and Nickel Plated
G-Bright Rumbled and Nickel Plated
H-Blued
J-Nickel Plated Only
K-Hardened and Nickel Plated
L-Brass Plated
M-Oxidized
N-Japanned, Dull
P-Japanned, Bright
P.P-Wrinkle Finish
R-Merlized
S-Cadmium Plated
T-Copper Plated
T.A-Hardened, Polished, Copper and Nickel Plated and Buffed
T.B-Copper and Nickel Plated and Polished
T.J-Copper and Nickel Plated Only
T.K-Hardened, Copper and Nickel Plated
T.L-Copper and Brass Plated
T.M-Copper Plated and Oxidized

INSTRUCTIONS FOR ORDERING - Continued

U-Zinc Plated
V-Silver Plated
W-Polished and Nickel Plated
X-Black Oxide, for Iron and Steel
X.C-Hardened and Black Oxide, for Iron or Steel
Y-Black Nickel Plated Only
Z-Chromium Plated
Z.A-Hardened, Polished, Nickel Plated, Buffed and Chromium Plated
Z.B-Polished, Nickel Plated, Buffed and Chromium Plated
Z.C-Hardened and Chromium Plated
Z.D-Polished and Chromium Plated
Z.G-Bright Rumbled, Nickel Plated, Bright Rumbled and Chromium Plated
Z.J-Nickel and Chromium Plated
Z.T-Copper and Chromium Plated

These letters MUST BE USED when they appear in the list; and AFTER the number as in the list.

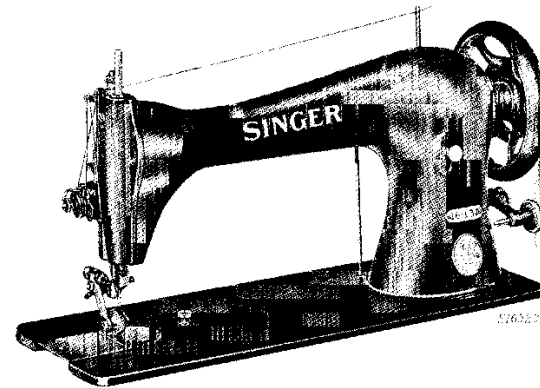
In this series:

1 to 1500, 50001 to 51500 and 140001 to 142000 are Screw Numbers
1501 to 1800 and 51501 to 51800 are Nut Numbers
1801 to 2000 and 51801 to 52000 are Roller Numbers
2001 to 50000 and 52001 to 140000 and 142001 to 190000 are Sewing Machine Parts, 190001 and upward are numbers of Electrical Parts.

The figures in the second column refer only to the plates, illustrating the parts, and are NOT TO BE USED in ordering.

Parts marked with an asterisk (*) are furnished only when repairs are made at factory.

LIST OF PARTS COMPLETE
FOR



MACHINE No. 16-137

FOR LEATHER. WHEEL FEED. MAXIMUM STITCH
3 1/2 TO THE INCH. SPEED 1600 R. P. M.

Genuine Singer Needles should be used
in Singer Machines.
These Needles and their Containers
are marked with the
Company's Trade Mark "SIMANCO." 1

Needles in Containers marked
"For Singer Machines"
are not Singer made needles. 2

No.	Plate	Name
*4287	-----	Arm with 4448, 4449, 15404 and two 15405
2002	6299	" Dowel Pin (2).....
4448	6299	" Oil Tube, for intermediate bearing..
123E	6299	" Screw (3).....
4368	6290	" Shaft.....
56837	-----	" " 4368 with 3074 and 56828.....
3005	6290	" " Bushing (back).....
448AL	6290	" " " " Set Screw.....
*4449	-----	" " " (front).....
144D	6290	" " Screw.....
4288	6299	" Side Cover.....
51224W	6299	" " " Thumb Screw.....
52239	6299	" Spool Pin and Thread Eyelet.....
11241	6299	" " " Washer (cloth).....
3008	-----	Balance Wheel (power) light rim, 1 3/4 in. pulley, with two 448AL.....
3009	-----	Balance Wheel (power) light rim, 2 5/16 in. pulley, with two 448AL.....
4368	-----	Balance Wheel (power) light rim, 2 3/4 in. pulley, with two 448AL.....

No.	Plate	Name
4370	6290	Balance Wheel (stand) heavy rim, 2 3/4 in. pulley, with two 448AL.....
Note: No. 4370 is regularly furnished with this Machine unless another Balance Wheel is specified on order.		
2862	6290	Balance Wheel (stand) heavy rim, 3 in. pulley, for 3022.....
56899	6299	Balance Wheel (light rim) "v" belt groove (outside diam. of belt groove 2.9 in.) with two 435AL.....
448AL	6290	Balance Wheel Set Screw for 3008, 3009, 4370 and 4388 (2).....
435AL	6299	Balance Wheel Set Screw for 56899 (2)..
2139	6299	" " Speed Pulley, 1 11/16 in. diam., with 451C.....
2140	6299	Balance Wheel Speed Pulley, 2 3/16 in. diam., with 437C.....
451C	6299	Balance Wheel Speed Pulley Set Screw for 2139.....
437C	6299	Balance Wheel Speed Pulley Set Screw for 2140.....
*80982	-----	Bed.....
256J	6290	Clamp Stop Motion Clamp Screw.....
248A	6290	" " " " Stop Screw.....
2020	6290	" " " " Washer.....
*3023	-----	" " " " Flanged Bushing.....
4933	6290	" " " " " 3023 with two 462AL.....
2022	-----	Clamp Stop Motion Flanged Bushing Pin... " " " " " Set
462AL	6290	Screw (2).....
3022	6290	Clamp Stop Motion complete, Nos. 248A, 256J, 2020 and 4933.....
4292	6290	Crank Connecting Rod with two 145E.....
145E	6290	" " " " Cap Screw (2)....
375C	6290	" " " " Hinge Screw.....
1518E	6290	" " " " " Nut....
56796	6291	Face Plate with 2105.....
56775	6291	Face Plate complete, Nos. 448AL, 460AL, 2107, 2111, 2127, 2269, 4369, 56791, 56796 and two 233J.....
164J	6291	Face Plate Screw.....
2107	6291	" " Thread Guard.....
233J	6291	" " " " Screw.....
52165	6290	Feed Connecting Link.....
375C	6290	" " " " Hinge Screw (2)...
1518J	6290	" " " " " Nut (2)
3074	6290	" Eccentric with 446AL.....
446AL	6290	" " Set Screw.....
3037	6290	" Forked Connection.....

No.	Plate	Name
5749	6290	Feed Forked Connection complete, Nos. 3037, 52165, 56886 and two each 375C and 1518J.....
375C	6290	Feed Forked Connection Hinge Screw.....
1518J	6290	" " " " " Nut..
3039	6290	" Regulator.....
56886	-----	" " 3039 with 818D.....
58E	6290	" " Hinge Screw.....
818D	6290	" " Thumb Screw.....
3042	6292	" Rock Shaft.....
56880	-----	Feed Rock Shaft complete, Nos. 3042 and 29633.....
29633	6292	Feed Rock Shaft Crank with 157J.....
2049	-----	" " " " Pin.....
157J	6292	" " " " Clamping Screw....
307C	6292	" " " " Screw Center (2).....
56814	6292	" " " " " 307C with 1513J (2).....
1513J	6292	Feed Rock Shaft Screw Center Nut (2)...
2258	6293	" Wheel, fine teeth, for 4827 to 4829
Note: No. 2258 is sent with this machine, unless another Feed Wheel is specified on order.		
15022	-----	Feed Wheel, coarse teeth, for 4827 to 4829.....
2263	6293	Feed Wheel Driver with 2266.....
4993	6292	" " " " Link.....
324D	6292	" " " " " Screw.....
313C	6292	" " " " " " Center (2)
56813	6292	" " " " " " " 313C with 1519J (2).....
1519J	6292	Feed Wheel Driver Link Screw Center Nut (2).....
2265	6293	Feed Wheel Driver Spring.....
2266	6293	" " " " " Hook.....
3113	6293	" " Frame with 454C.....
56834	6293	Feed Wheel Frame complete, Nos. 151C, 163C, 183F, 240D, 2252, 2254 to 2256, 2258, 3113, 3114 and two each 141C and 1528J.....
141C	6293	Feed Wheel Frame Adjusting Screw (2)...
1528J	6293	" " " " " Nut (2)
454C	6293	" " " " Set Screw.....
3077	6292	" " " " Shaft.....
307C	6292	" " " " " Screw Center (2)
56814	6292	" " " " " " " 307C with 1513J (2).....
1513J	6292	Feed Wheel Frame Shaft Screw Center Nut (2).....
4680	-----	Feed Wheel Frame complete, Nos. 3077 and 56834.....

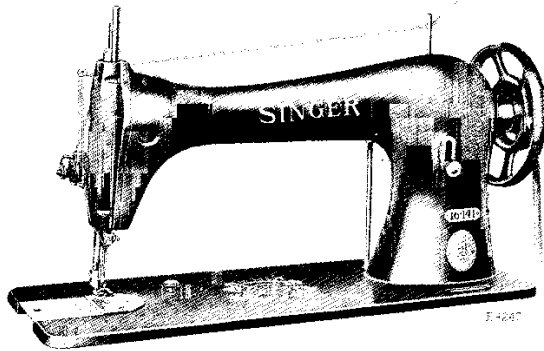
No.	Plate	Name
3114	6293	Feed Wheel Friction Plate (back).....
151C	6293	" " " " " Screw..
2252	6293	" " " " (front).....
183C	6293	" " " " " Screw.
2254	6293	" " Retaining Clutch.....
2255	6293	" " " " " Cap.....
183F	6293	" " " " " Screw...
2256	6293	" " " " " Spring.....
240D	6293	" " " " " Screw
25875	6299	Guide.....
284D	6299	" Thumb Screw.....
3044	6294	Needle Bar.....
*3045	-----	" " Connecting Link.....
56773	6294	" " " " " 3045 with 2052
377C	6294	" " " " " Hinge Screw...
1519E	6294	" " " " " " Nut
2052	6294	" " " " Stud with 155C....
155C	6294	" " " " " Set Screw....
290E	6294	" " " " Screw Bushing (2).....
2166	6294	" " " " Thread Guard.....
233J	6294	" " " " " Screw.....
2167	6294	" " Clamp with 196F.....
196F	6294	" " " " " Screw.....
4304	6290	Oscillating Rock Shaft with 4784.....
5747	6290	" " " " 4304 with 15489 and 56812.....
3052	6290	Oscillating Rock Shaft Hinge Pin.....
56812	6290	" " " " " 3052 with 1513J.....
1513J	6290	Oscillating Rock Shaft Hinge Pin Nut....
635C	6290	" " " " " " Screw
15489	6290	Oscillating Rock Shaft Hinge Pin Screw Bearing.....
1513J	6290	Oscillating Rock Shaft Hinge Pin Screw Bearing 635C with 1513J.....
4784	6290	Oscillating Rock Shaft Oil Pad.....
3168	6292	" " Shaft.....
*56767	-----	" " " " 3168 with 2049, 15164 and 68751.....
15163	-----	Oscillating Shaft Crank for 15164.....
15426	6292	" " " " " 15165.....
*15164	-----	Oscillating Shaft Crank complete, Nos. 462AL, 1519E, 15163 and 15171.....
15165	6292	Oscillating Shaft Crank complete, Nos. 1519E, 15171, 15426 and two 462AL...
2049	-----	Oscillating Shaft Crank Pin.....
462AL	6292	" " " " " Set Screw.....
15170	6292	" " " " " Slide Block.....
226J	6292	" " " " " " Cap Screw.....

No.	Plate	Name
12424	6292	Oscillating Shaft Crank Slide Block Cap Screw Washer.....
1035C	6292	Oscillating Shaft Crank Slide Block Screw Stud.....
1519E	6292	Oscillating Shaft Crank Slide Block Screw Stud Nut.....
15171	-----	Oscillating Shaft Crank Slide Block com- plete, Nos. 226J, 1035C, 12424 and 15170.....
2058	6294	Presser Bar.....
52016	6294	" " " Lifter.....
689C	6294	" " " " " Screw.....
1520J	6294	" " " " " Nut.....
5608	6294	" " " " Lifting Bracket with 453AL..
453AL	6294	" " " " " Set Screw...
290E	6294	" " " " Screw Bushing.....
3056	6294	" " " " Spring (heavy).....
Note: No. 3056 is regularly furnished with this machine unless otherwise specified on order.		
2308	-----	Presser Bar Spring (light).....
2070	6294	" " " " Washer.....
2180	6294	" " " Foot.....
190J	6294	" " " " " Screw.....
262J	6294	Pressure Regulating Thumb Screw.....
1841	6294	Roller, 7/8 in. diam., 9/64 in. face, fine, with 652D and 1528J.....
2203	6294	Roller Arm.....
440F	6294	" " " Adjusting Screw.....
15446	-----	" " " " " 440F with 1547J
1547J	6294	" " " " " Nut.....
2206	6294	" " " " Bracket.....
316F	6294	" " " " " Screw Center (2)....
15444	-----	" " " " " " 316F with 1547J (2).....
1547J	6294	Roller Arm Bracket Screw Center Nut (2)
2205	6294	" " " " Lock Spring.....
176J	6294	" " " " " Screw.....
1549J	6294	" " " " " " Nut.....
2197	6294	Roller Presser complete, 7/8 in. diam., 9/64 in. face, fine roller, Nos. 176J, 1549J, 1841, 2203, 2205, 2206, 15446 and two 15444.....
Note: No. 2197 is sent with this machine unless another Roller Presser is specified on order.		
190J	6294	Roller Presser Screw.....
652D	6294	" " " " " Screw.....
1528J	6294	" " " " " Nut.....
2996	6294	Shuttle Bobbin.....
15140	6294	" " " " Case Latch.....
2973	6294	" " " " " " Lever.....

No.	Plate	Name
2974	6294	Shuttle Bobbin Case Latch Lever Fulcrum Pin.....
2975	6294	Shuttle Bobbin Case Latch Spring.....
592E	6294	" " " " Stop Screw....
15141	6294	" " " " Hinge, Nos. 2973,2974 and 15140.....
15277	6294	Shuttle Bobbin Case complete, Nos. 591F, 592E, 2975, 15141 and 15278.....
2515	6294	Shuttle Body.....
591F	6294	" Tension Regulating Screw.....
15278	6294	" " Spring.....
15100	6294	Shuttle, 1 11/16 in. diam., Nos. 2515, 2996 and 15277.....
*68751	-----	Shuttle Driver.....
68752	6292	" " 68751 with two 462AL....
2049	-----	" " Pin.....
462AL	6292	" " Set Screw (2).....
2980	6291	" Race Back.....
2532	6291	" " " Position Pin (2)....
2533	6291	" " " Spring.....
907D	6291	" " " Screw.....
2981	6291	" " Body.....
2982	6291	" " Cap.....
662R	6291	" " " Screw (2).....
2983	6291	Shuttle Race complete, Nos. 907D, 2533, 2980 to 2982 and two each 662R and 2532.....
145F	6291	Shuttle Race Screw (2).....
4350	6291	" " Slide.....
4307	6291	" " " Spring.....
4352	6291	" " " Rivet (2)....
4351	6291	Shuttle Race Slide complete, Nos. 4307, 4350 and two 4352.....
2102	6291	Tension Disc (2).....
56791	6291	Tension complete, Nos. 2103, 2124, 16202 and two 2102.....
4369	6291	Tension Releaser.....
2269	6291	" " Hinge Pin.....
1560C	6291	" Regulating Thumb Nut.....
600C	6291	" Screw Stud.....
16202	6291	" " " 600C with 1560C.....
446AL	6291	" " " Set Screw.....
2103	6291	" Spring.....
2105	6291	" Thread Guard.....
2112	6291	Thread Retaining Disc with 2113.....
2113	6291	" " " Steady Pin.....
2114	6291	" " Spring.....
2115	6291	" " Stud.....
460AL	6291	" " " Set Screw.....
2111	6291	Thread Retainer Guide complete, Nos. 2112, 2114 and 2115.....

No.	Plate	Name
*56828	-----	Thread Take-up Cam.....
3182	6290	" " " 56828 with 446AL....
3012	-----	" " " Pin.....
446AL	6290	" " " Set Screw.....
*3072	-----	" " " Lever with 1819.....
56855	6291	" " " 3072 with 1088C....
1088C	6291	" " " Hinge Screw.....
1819	6291	" " " Roller and Stud....
2124	6291	" " " Spring.....
2127	6291	" " " Regulator Plate...
233J	6291	" " " " " Ad-justing Screw.....
4827	6293	Throat Plate, large oblong needle hole, for 2258 and 15022.....
4828	6293	Throat Plate, medium oblong needle hole, for 2258 and 15022.....
Note: Nos. 4827 and 4828 are sent with this machine unless other Throat Plates are specified on order.		
4829	-----	Throat Plate, small oblong needle hole, for 2258 and 15022.....
691F	6293	Throat Plate Screw.....
*15404	-----	Trade Mark.....
15405	-----	" " Rivet (2).....
4356	-----	Wheel Feed complete, Nos. 324D, 2263, 2265, 3074, 4351, 4680, 4827, 4828 and 4993.....
20291	22342	Drip Pan with four 1 in. wire nails....

LIST OF PARTS COMPLETE
FOR



MACHINE No. 16-141

CLOTH OR LEATHER. MAXIMUM STITCH 4 1/2 TO THE
INCH. ALTERNATING PRESSERS. SPEED 1400 R. P. M.

No.	Plate	Name
*4722	-----	Arm with 4448, 4449, 15404 and two 15405
2002	6299	" Dowel Pin (2).....
4448	6299	" Oil Tube, for intermediate bearing..
123E	6299	" Screw (3).....
4359	6295	" Shaft.....
3005	6295	" " Bushing (back).....
448AL	6295	" " " Set Screw.....
*4449	-----	" " " (front).....
144D	6295	" " Screw.....
4288	6299	" Side Cover.....
51224W	6299	" " Thumb Screw.....
52239	6299	" Spool Pin and Thread Eyelet.....
11241	6299	" " " washer (cloth).....
3008	-----	Balance Wheel (power) light rim, 1 3/4 in. pulley, with two 448AL.....
3009	-----	Balance wheel (power) light rim, 2 5/16 in. pulley, with two 448AL.....
4388	6295	Balance Wheel (power) light rim, 2 3/4 in. pulley, with two 448AL.....

Note: No. 4388 is regularly furnished with this
machine unless another Balance Wheel is
specified on order.

No.	Plate	Name
4370	-----	Balance Wheel (stand) heavy rim, 2 3/4 in. pulley, with two 448AL.....
2862	6295	Balance Wheel (stand) heavy rim, 3 in. pulley, for 3022.....
56899	6299	Balance Wheel (light rim) "V" belt groove (outside diam. of belt groove 2.9 in.) with two 435AL.....
448AL	6295	Balance Wheel Set Screw for 3008, 3009, 4370 and 4388 (2).....
435AL	6299	Balance Wheel Set Screw for 56899 (2)..
2139	6299	" " Speed Pulley, 1 11/16 in. diam., with 451C.....
2140	6299	Balance Wheel Speed Pulley, 2 3/16 in. diam., with 437C.....
451C	6299	Balance Wheel Speed Pulley Set Screw for 2139.....
437C	6299	Balance Wheel Speed Pulley Set Screw for 2140.....
*80982	-----	Bed.....
256J	6295	Clamp Stop Motion Clamp Screw.....
248A	6295	" " " " Stop Screw.....
2020	6295	" " " " Washer.....
*3023	-----	" " " Flanged Bushing.....
4933	6295	" " " " 3023 with two 462AL.....
2022	-----	Clamp Stop Motion Flanged Bushing Pin... " " " " Set
462AL	6295	Screw (2).....
3022	6295	Clamp Stop Motion complete, Nos. 248A, 256J, 2020 and 4933.....
4292	6295	Crank Connecting Rod with two 145E.....
145E	6295	" " " Cap Screw (2)....
375C	6295	" " " Hinge Screw.....
1518E	6295	" " " " Nut....
56872	6296	Face Plate with 2105.....
56873	6296	Face Plate complete, Nos. 448AL, 460AL, 2111, 2127, 2269, 4378, 56791, 56870, 56872 and two 233J.....
175J	6296	Face Plate Screw (3).....
56870	6296	" " Thread Guard.....
233J	6296	" " " Screw.....
4391	6297	Feed Bar.....
313C	6297	" " Screw Center (2).....
56813	6297	" " " " 313C with 1519J (2)
1519J	6297	" " " " Nut (2).....
3032	6295	" Cam with 446AL.....
446AL	6295	" " Set Screw.....
52165	6295	" Connecting Link.....
375C	6295	" " " Hinge Screw (2)...
1518J	6295	" " " " " Nut (2)

No.	Plate	Name
4642	6296	Feed Dog, 15 teeth (16 teeth to the inch) for 4646 and 56836.....
Note: No. 4642 is regularly furnished with this machine unless another Feed Dog is specified on order.		
56835	-----	Feed Dog, 22 teeth (22 teeth to the inch) for 4646 and 56836.....
56845	-----	Feed Dog, 15 teeth (16 teeth to the inch) spiked teeth, for 4646 and 56836.....
208AL	6296	Feed Dog Screw (2).....
3037	6295	" Forked Connection.....
5749	6295	Feed Forked Connection complete, Nos. 3037, 52165, 56886 and two each 375C and 1518J.....
375C	6295	Feed Forked Connection Hinge Screw.....
1518J	6295	" " " " " Nut..
3165	6297	" Lifting Rock Shaft.....
3163	6297	Feed Lifting Rock Shaft complete, Nos. 3165 and 3166.....
3166	6297	Feed Lifting Rock Shaft Crank with 157J and 1813.....
157J	6297	Feed Lifting Rock Shaft Crank Clamping Screw.....
1813	6297	Feed Lifting Rock Shaft Crank Roller and Stud.....
307C	6297	Feed Lifting Rock Shaft Screw Center (2)
56814	6297	" " " " " " 307C with 1513J (2).....
1513J	6297	Feed Lifting Rock Shaft Screw Center Nut (2).....
3039	6295	Feed Regulator.....
56886	-----	" " 3039 with 818D.....
58E	6295	" " Hinge Screw.....
818D	6295	" " Thumb Screw.....
3042	6297	" Rock Shaft.....
56880	-----	Feed Rock Shaft complete, Nos. 3042 and 29633.....
29633	6297	Feed Rock Shaft Crank with 157J.....
2049	-----	" " " " Pin.....
157J	6297	" " " " Clamping Screw....
307C	6297	" " " " Screw Center (2).....
56814	6297	" " " " 307C with 1513J (2).....
1513J	6297	Feed Rock Shaft Screw Center Nut (2)...
25875	6299	Guide.....
3126	6298	" Bar.....
*56752	-----	" " 3126 with 2361 and two 2362...
56844	-----	" " 56752 with 337J and 3137.....
4730	6298	Guide Bar complete, Nos. 810D, 810E, 3134, 4723, 4897, 56844 and three 404J....

No.	Plate	Name
4854	6298	Guide Bar Driving Crank with 1862 and 3131.....
1862	6298	Guide Bar Driving Crank Roller (roller only).....
3131	6298	Guide Bar Driving Crank Roller Cap.....
3094	6295	" " " " Wedge.....
690E	6295	" " " " " Screw.....
4723	6298	" " Lifting Bracket.....
404J	6298	" " " " Screw (3)....
284D	6299	" Thumb Screw.....
2058	6298	Lifting Presser Bar.....
3133	6298	" " " " Bracket with 641E and 1823.....
641E	6298	Lifting Presser Bar Bracket Clamping Screw.....
1823	-----	Lifting Presser Bar Bracket Roller and Stud.....
4855	6298	Lifting Presser Bar Lifter.....
598C	6298	" " " " Screw.....
4725	6298	" " " " Lifting Bracket....
4726	6298	" " " " " Guide Pin.....
32675	6298	Lifting Presser Bar Spring.....
2070	6298	" " " " Washer.....
2358	6298	" " " Foot.....
217J	6298	" " " Screw.....
56888	6298	Needle Bar for round shank needle.....
*4898	-----	" " Connecting Link with 390E....
56764	6298	" " " " 4898 with 15472.....
390E	6298	Needle Bar Connecting Link Adjusting Screw.....
15472	6298	Needle Bar Connecting Stud with 155C....
155C	6298	" " " " Set Screw....
4265	6298	" Clamp with 196F.....
4865	6298	Needle Clamp complete, Nos. 651D, 4265 and 4266.....
196F	6298	Needle Clamp Screw.....
4266	6298	" " Thread Guide.....
651D	6298	" " " " Screw.....
4304	6295	Oscillating Rock Shaft with 4784.....
5747	6295	" " " " 4304 with 15489 and 56812.....
3062	6295	Oscillating Rock Shaft Hinge Pin.....
56812	6295	" " " " " 3052 with 1513J.....
1513J	6295	Oscillating Rock Shaft Hinge Pin Nut....
635C	6295	" " " " " Screw Bearing.....
15489	6295	Oscillating Rock Shaft Hinge Pin Screw Bearing 635C with 1513J.....

No.	Plate	Name
1513J	6295	Oscillating Rock Shaft Hinge Pin Screw Bearing Nut.....
4784	6295	Oscillating Rock Shaft Oil Pad.....
3168	6297	" Shaft.....
*56767	-----	" " 3168 with 2049, 15164 and 68751.....
15163	-----	Oscillating Shaft Crank for 15164.....
15426	6297	" " " 15165.....
*15164	-----	Oscillating Shaft Crank complete, Nos. 462AL, 1519E, 15163 and 15171.....
15165	6297	Oscillating Shaft Crank complete, Nos. 1519E, 15171, 15426 and two 462AL...
2049	-----	Oscillating Shaft Crank Pin.....
462AL	6297	" " " Set Screw.....
15170	6297	" " " Slide Block.....
226J	6297	" " " " Cap Screw.....
12424	6297	Oscillating Shaft Crank Slide Block Cap Screw Washer.....
1035C	6297	Oscillating Shaft Crank Slide Block Screw Stud.....
1519E	6297	Oscillating Shaft Crank Slide Block Screw Stud Nut.....
15171	-----	Oscillating Shaft Crank Slide Block complete, Nos. 226J, 1035C, 12424 and 15170.....
262J	6298	Pressure Regulating Thumb Screw.....
2996	6298	Shuttle Bobbin.....
15140	6298	" " Case Latch.....
2973	6298	" " " Lever.....
2974	6298	" " " " Fulcrum Pin.....
2975	6298	Shuttle Bobbin Case Latch Spring.....
592E	6298	" " " " Stop Screw....
15141	6298	" " " Hinge, Nos. 2973, 2974 and 15140.....
15277	6298	Shuttle Bobbin Case complete, Nos. 591F, 592E, 2975, 15141 and 15278.....
2515	6298	Shuttle Body.....
591F	6298	" Tension Regulating Screw.....
15278	6298	" " Spring.....
15100	6298	Shuttle, 1 11/16 in. diam., Nos. 2515, 2996 and 15277.....
*68751	-----	Shuttle Driver.....
68752	6297	" " 68751 with two 462AL.....
2049	-----	" " Pin.....
462AL	6297	" " Set Screw (2).....
2531	6296	" Race Back.....
2532	6296	" " Position Pin (2).....
2533	6296	" " Spring.....

No.	Plate	Name
648J	6296	Shuttle Race Back Spring Screw.....
2530	6296	" " " Body.....
15420	-----	" " " 2530 with 2535 and two 662R.....
2535	6296	Shuttle Race Cap.....
662R	6296	" " " Screw (2).....
56897	6296	Shuttle Race complete, Nos. 648J, 2531, 2533, 15420 and two 2532.....
145F	6296	Shuttle Race Screw (2).....
4305	6296	" " Slide.....
2824	6296	" " " Spring.....
51282E	6296	" " " " Screw (2)....
80528	6296	Shuttle Race Slide complete, Nos. 2824, 4305 and two 51282E.....
2102	6296	Tension Disc (2).....
56791	6296	Tension complete, Nos. 2103, 2124, 16202 and two 2102.....
4378	6296	Tension Releaser.....
2269	6296	" " Hinge Pin.....
1560C	6296	" Regulating Thumb Nut.....
600C	6296	" Screw Stud.....
16202	6296	" " " 600C with 1560C.....
448AL	6296	" " " Set Screw.....
2103	6296	" Spring.....
2105	6296	" Thread Guard.....
2112	6296	Thread Retaining Disc with 2113.....
2113	6296	" " " Steady Pin.....
2114	6296	" " Spring.....
2115	6296	" " Stud.....
460AL	6296	" " " Set Screw.....
2111	6296	Thread Retainer Guide complete, Nos. 2112, 2114 and 2115.....
*56829	-----	Thread Take-up Cam.....
3190	6295	" " " 56829 with 446AL....
3012	-----	" " " Pin.....
446AL	6295	" " " Set Screw.....
*3072	-----	" " Lever with 1819.....
56855	6296	" " " 3072 with 1088C....
1088C	6296	" " " Hinge Screw.....
1819	6296	" " " Roller and Stud....
2124	6296	" " Spring.....
2127	6296	" " " Regulator Plate...
233J	6296	" " " " Ad-justing Screw.....
4646	6296	Throat Plate, large needle hole, for 4642 and 56835.....
Note:		No. 4646 is regularly furnished with this machine unless another Throat Plate is specified on order.
56836	-----	Throat Plate, small needle hole, for 4642 and 56835.....

No.	Plate	Name
691F	6296	Throat Plate Screw.....
*15404	-----	Trade Mark.....
15405	-----	" " Rivet (2).....
3134	6298	Vibrating Presser Bar.....
2361	6298	" " " Hinge Bracket.....
2362	-----	" " " " Rivet (2).....
810D	6298	Vibrating Presser Bar Hinge Cap Screw...
4897	6298	" " " Lifting Bell Crank
810E	6298	" " " " Hinge Cap Screw.....
3137	6298	Vibrating Presser Bar Spring.....
337J	6298	" " " " Screw.....
3136	6298	" " " Foot.....
217J	6298	" " " Screw.....
139622	22341	Drip Pan with four 1 in. wire nails.....

Genuine Singer Needles should be used
in Singer Machines.
These Needles and their Containers
are marked with the
Company's Trade Mark "SIMANCO." 1

Needles in Containers marked
"For Singer Machines"
are not Singer made needles. 2

ACCESSORIES

No.	Plate	Name
27136	24153	Machine Button with wood screw 1 1/2 in. No. 14 R.H.B.....
12361	24153	Machine Hinge Connection (2).....
41400	24153	" Rest Pin (wood).....
120342	24153	Oiler (copper plated) with 120343.....
120343	24153	" Spout, 3 1/2 in. long.....
26026	24153	Screw Driver (machine).....
26485	24153	" " (shuttle tension).....
8908	24153	Wrench for 1519.....
4347	24153	" " 1513 and 1518.....

BINDERS

BINDER (Adjustable)

TO TURN IN UPPER EDGE ONLY, FOR LIGHT OR
MEDIUM WEIGHT MATERIAL

FOR NO. 16-141 MACHINE

No.	Plate	Name
120242	24154	Bed with 1036AL.....
120244	24154	Folder (upper).....
120245	24154	Guide (center).....
120246	24154	" (lower).....
51224W	24154	" Thumb Screw.....
1036AL	24154	Leveling Screw.....
120247	24154	Binder (adjustable) complete, Nos. 51224W, 120242 and 120244 to 120246.
35227	24154	Feed Dog, 20 teeth (16 teeth to the inch) for 35229.....
35230	24154	Lifting Presser Foot.....
35229	24154	Throat Plate for 35227.....
35181	24154	Vibrating Presser Foot.....

BINDER (Adjustable)
TO TURN IN BOTH EDGES OF LIGHT OR
MEDIUM WEIGHT MATERIAL
FOR NO. 16-141 MACHINE

No.	Plate	Name
120242	24154	Bed with 1036AL.....
120243	24154	Folder (lower).....
120244	24154	" (upper).....
120245	24154	Guide (center).....
51224W	24154	" Thumb Screw.....
1036AL	24154	Leveling Screw.....
120248	24154	Binder (adjustable) complete, Nos. 51224W and 120242 to 120245.....
35227	24154	Feed Dog, 20 teeth (16 teeth to the inch) for 35229.....
35230	24154	Lifting Presser Foot.....
35229	24154	Throat Plate for 35227.....
35181	24154	Vibrating Presser Foot.....

BINDER (English)
FOR CIRCULAR BINDING, FOR SANDALS,
SLIPPERS, SHOE TONGUES, ETC.
FOR NO. 16-141 MACHINE

No.	Plate	Name
28365	24155	Feed Dog, 11 teeth (24 teeth to the inch) for 28369.....
120493	24155	Folder with two 51022J, for 1/4 in. to 1/2 in. gauges.....
120494	-----	Folder with two 1368J, for 17/32 in. to 19/32 in. gauges.....
120495	-----	Folder with two 1368J, for 5/8 in. to 1 in. gauges.....
207F	24155	Folder Screw for 28371.....
51022J	24155	" " for 120493 (2).....
1368J	-----	" " for 120494 and 120495 (2).....
7071	24155	" " Washer.....
28367	24155	Lifting Presser Foot.....
36620	24155	Ribbon Guide.....
337J	24155	" " Screw.....

No.	Plate	Name
7806	24155	Ribbon Guide Screw Washer.....
28369	24155	Throat Plate for 28365.....
28370	24155	Vibrating Presser Foot.....
28371	24155	Binder (English) complete, Nos. 207F, 337J, 7071, 7806, 28365, 28367, 28369, 28370, 36620 and 120493, 120494 or 120495.....

BINDER (English)
FOR NO. 16-141 MACHINE

No.	Plate	Name
26251	24155	Feed Dog, 15 teeth (16 teeth to the inch) for 26252.....
25721	24155	Folder.....
207F	24155	" Screw.....
7071	24155	" " Washer.....
2358	24155	Lifting Presser Foot.....
26614	24155	Ribbon Tension Pin (bent).....
26615	24155	" " " (straight) (4).....
26616	24155	" " Plate.....
25722	24155	Ribbon Tension complete, Nos. 26614, 26616 and four 26615.....
190J	24155	Ribbon Tension Screw.....
7071	24155	" " " Washer.....
26252	24155	Throat Plate for 26251.....
26971	24155	Vibrating Presser Foot.....
26972	24155	Binder (English) complete, Nos. 190J, 207F, 2358, 25721, 25722, 26251, 26252, 26971 and two 7071.....

BINDERS ON SHANK
FOR NO. 16-141 MACHINE

No.	Plate	Name
35227	24155	Feed Dog, 20 teeth (16 teeth to the inch) for 35229, for 35226.....
35230	24155	Lifting Presser Foot for 35226.....
35229	24155	Throat Plate for 35227, for 35226.....
35181	24155	Vibrating Presser Foot, for 35226.....
35226	24155	Binder on Shank, for mattress work.....
35227	24156	Feed Dog, 20 teeth (16 teeth to the inch) for 35229, for 35366.....
120064	24156	Feed Dog, 12 teeth (10 teeth to the inch) (spiked teeth) for 35229, for 35366.....

No.	Plate	Name
35364	24156	Lifting Presser Foot, for 35366.....
35229	24156	Throat Plate, for 35227, for 35366.....
35365	24156	Vibrating Presser Foot for 35366.....
35366	24156	Binder on Shank, for folding in upper edge of leather strip, for cap visors, harness housings, etc.....

BOBBIN WINDERS

BOBBIN WINDER (TIGHT WHEEL)

No.	Plate	Name
5522	24152	Frame.....
2460	24152	Friction Ring (rubber).....
2461	24152	Pulley.....
5529	24152	Spindle.....
5530	-----	" 5529 with 2461.....
2464	24152	Spring.....
5528	24152	Bobbin Winder (tight wheel) complete, Nos. 2460, 5522 and 5530.....
46D	24152	Bobbin Winder Hinge Screw.....

BOBBIN WINDER (LOOSE WHEEL)

No.	Plate	Name
2466	24152	Eccentric.....
51224W	24152	" Thumb Screw.....
5526	24152	Frame.....
2460	24152	Friction Ring (rubber).....
2461	24152	Pulley.....
2693	24152	Spindle.....
2694	-----	" 2693 with 2461.....
5531	24152	Bobbin Winder (loose wheel) complete, Nos. 2460, 2466, 2694, 5526 and 51224W..
1489D	24152	Bobbin Winder Screw.....

BOBBIN WINDER (LOOSE WHEEL)

WITH SPINDLE FOR SPOOL

No.	Plate	Name
2466	24152	Eccentric.....
51224W	24152	" Thumb Screw.....
5526	24152	Frame.....
2460	24152	Friction Ring (rubber).....
2461	24152	Pulley.....
2852	24152	Spindle for bobbin.....
2853	-----	" 2852 with 2846.....
2846	24152	" for spool.....
5533	24152	Bobbin Winder (loose wheel) complete, Nos. 2460, 2461, 2466, 2853, 5526 and 51224W.....
1489D	24152	Bobbin Winder Screw.....

BOBBIN WINDER

(SWINGING AUTOMATIC, RIGHT HAND)

No.	Plate	Name
27540	24053	Base.....
15072	24053	Bobbin Position Pin.....
27302	24053	Frame.....
50356D	24053	" Hinge Screw.....
1620J	24053	" " " Nut.....
27303	-----	" Spring.....
27541	24053	Pulley.....
27538	24053	Spindle with 15072.....
27306	24053	Spool Pin.....
11241	24053	" " Washer (cloth).....
27307	24053	" Stand.....
27308	24053	Spool Stand complete, Nos. 418E, 1562J, 2106, 10141, 11241, 27306, 27307 and two each 2455 and wood screws 1 in. No. 10
27312	24053	Stop Latch.....
35D	24053	" " Hinge Screw.....
2455	24053	Tension Disc (2).....
1562J	24053	" Regulating Thumb Nut.....
418E	24053	" Screw Stud.....
10141	24053	" Spring.....
2106	24053	" Thread Guide.....
27647	24053	Bobbin Winder, Nos. 35D, 1620J, 27302, 27303, 27312, 27538, 27540, 27541, 50356D and two wood screws 1 in. No. 7.....
27544	24053	Bobbin Winder (swinging automatic, right hand) complete, Nos. 27308 and 27647

BOBBIN WINDER
(SWINGING AUTOMATIC, RIGHT HAND)

WITH SPINDLE FOR SPOOL

THIS BOBBIN WINDER IS THE SAME AS NO. 27544

WITH THE FOLLOWING EXCEPTIONS:

No.	Plate	Name
27610	24151	Spindle with 15072, in place of 27538...
2846	24151	" for spool.....
27611	-----	" 27610 with 2846.....
27656	24151	Bobbin Winder, Nos. 35D, 1620J, 27302, 27303, 27312, 27540, 27541, 27611, 50356D and two wood screws 1 in. No. 7, in place of 27647.....
27612	24151	Bobbin Winder (swinging automatic, right hand) complete, Nos. 27308 and 27656

BOBBIN WINDER

(SWINGING AUTOMATIC, RIGHT HAND)

FOR POWER TABLE

FOR ROUND BELT

No.	Plate	Name
259428	23253	Brake (leather).....
259429	23253	" Clamp.....
200113F	23253	" " Screw.....
259430	23253	Bobbin Winder and Tension Bracket Base..
225453	23253	Frame with 202277 and 225438.....
225454	23253	" Hinge Pin.....
202277	23253	" Oil Packing (wick).....
225438	23253	" Well Cap.....
225455	23253	" Spring.....
225456	23253	" " Plunger.....
225368	23253	Pulley with 200380C.....
200380C	23253	" Set Screw.....
225381	23253	Spindle.....
225444	23253	Stop Latch.....
200056E	23253	" " Screw.....
225458	23253	" " " Thumb Lever.....
225459	23253	" " " Hinge Stud.....
225459	23253	" " " Joint Stud.....
202478	23253	" " " Trip Lever.....
200299H	23253	" " " Hinge Screw.....
225461	23253	Tension Bracket with 201499B.....
200082D	23253	" " " Screw.....

BOBBIN WINDER

27

No.	Plate	Name
228026	23253	Tension Bracket Screw Washer.....
2102	23253	" Disc (2).....
13710	23253	" Spring.....
201499B	23253	" Stud.....
201572B	23253	" " Thumb Nut.....
225462	23253	Bobbin Winder Tension Bracket complete, Nos. 13710, 201572B, 225461 and two 2102.....
259431	23253	Bobbin Winder complete for round belt, Nos. 200056E, 200082D, 200113F, 200299H, 202478, 225368, 225381, 225444, 225453, to 225456, 225458, 225462, 228026, 259428 to 259430 and two each 225459 and wood screws 3/4 in. No. 12 R.H.B.....

BOBBIN WINDER

(SWINGING AUTOMATIC, RIGHT HAND)

FOR POWER TABLE

FOR "V" BELT

THIS BOBBIN WINDER IS THE SAME AS NO. 259431

WITH THE FOLLOWING EXCEPTIONS:

No.	Plate	Name
259461	23253	Pulley with 200380C, in place of 225368.
259462	23253	Bobbin Winder complete, for "v" belt, Nos. 200056E, 200082D, 200113F, 200299H, 202478, 225381, 225444, 225453 to 225456, 225458, 225462, 228026, 259428 to 259430, 259461 and two each 225459 and wood screws 3/4 in. No. 12 R.H.B.

CORDER

FOR EDGE CORDING

FOR NO. 16-141 MACHINE

No.	Plate	Name
35026	24156	Corder on Shank.....
35031	24156	Feed Dog, 15 teeth (14 teeth to the inch) for 35032.....
2358	24156	Lifting Presser Foot.....
35032	24156	Throat Plate for 35031.....
35033	24156	Vibrating Presser Foot.....
35034	24156	Corder complete, for edge cording plush, Nos. 2358, 35026 and 35031 to 35033.

EDGE GUIDE (Roller)

FOR NO. 16-141 MACHINE

No.	Plate	Name
26803	24156	Edge Guide Bed with 2362.....
220J	24156	" " Leveling Screw (4).....
121146	24156	" " Slide with 26809, 51916 and two 12152.....
26805	24156	Edge Guide Slide Cap (left).....
207F	24156	" " " " " " Screw.....
2362	24156	" " " " " " Steady Pin..
26806	24156	" " " " " " (right).....
207F	24156	" " " " " " Screw (large)
233J	24156	" " " " " " (small)
26807	24156	" " " " " " Lever.....
94D	24156	" " " " " " Hinge Screw.....
51916	24156	" " " " " " Roller and Stud.....
26808	24156	" " " " " " Spring.....
26809	24156	" " " " " " Cover.....
12152	24156	" " " " " " Rivet (2)
26810	24156	Edge Guide (roller) complete, Nos. 94D, 233J,26803,26805 to 26808,121146,two 207F and four 220J.....
190J	24156	Edge Guide Screw.....
26812	24156	Lifting Presser Foot.....

FINGER GUARD

FOR NO. 16-141 MACHINE

No.	Plate	Name
121332	24156	Finger Guard.....

FOOT LIFTER PARTS

FOR NO. 16-137 MACHINE

No.	Plate	Name
80657	6292	Bell Crank with 445C.....
445C	6292	" " Set Screw.....
12234	6292	" " Shaft.....
12235	6292	" " Spring.....
5670	24158	Chain, length 26 in. to 35 in. with 56864 and 56865.....

Note: When ordering No. 5670, state length required.

FOOT LIFTER PARTS

No.	Plate	Name
4879	24158	Chain Connecting Link.....
56864	24158	" " Hook (large).....
56865	24158	" " (small).....
5607	6292	Lifting Lever.....
5614	6292	" " Connecting Rod.....
802D	6292	" " Hinge Screw.....
5608	6294	Presser Bar Lifting Bracket with 453AL..
453AL	6294	" " " " " " Set Screw...
2763	24158	Rock Shaft.....
7539	24158	" " Hanger with two wood screws 1 in. No. 10 (2).....
6337	24158	Rock Shaft Lifting Bracket with two 356C (2).....
12243	24158	Rock Shaft Lifting Bracket Hook for 80657.....
7125	24158	Rock Shaft Lifting Bracket Hook for 5670
356C	24158	" " " " " " Set Screw (2).....
356C	24158	Rock Shaft Lifting Bracket Set Screw (2)
2770	24158	" " Stop Dog with 140219C.....
140219C	24158	" " " " " " Set Screw.....
37138	24158	Rock Shaft complete, Nos. 2763, 2770, 7125, 12243 and two each 6337 and 7539....
4881	24158	Treadle.....
4882	24158	" Shaft.....
4883	24158	" Spring.....
4884	24158	" Stand.....
4885	24158	Treadle complete, Nos. 4879, 4881 to 4884 and two wood screws 1 in. No. 16....
56858	-----	Foot Lifter complete, Nos. 802D, 4885, 5607, 5608, 5614, 5670, 12234, 12235, 37138 and 80657.....

FOOT LIFTER PARTS

FOR NO. 16-141 MACHINE

No.	Plate	Name
80657	6297	Bell Crank with 445C.....
445C	6297	" " Set Screw.....
12234	6297	" " Shaft.....
12235	6297	" " Spring.....
5670	24158	Chain, length 26 in. to 35 in., with 56864 and 56865.....

Note: When ordering No. 5670 state length required.

4879	24158	Chain Connecting Link.....
56864	24158	" " Hook (large).....
56865	24158	" " (small).....

FOOT LIFTER PARTS

No.	Plate	Name
4724	6297	Lifting Lever with 448AL.....
4728	6297	" " Connecting Rod.....
12416	6297	" " " " Joint.....
76D	6297	" " " " Hinge Screw.....
152LJ	6297	Lifting Lever Connecting Rod Lock Nut...
802D	6297	" " Hinge Screw.....
4727	6297	" " Pin.....
448AL	6297	" " " Set Screw.....
4725	6298	" Presser Bar Lifting Bracket.....
4726	6298	" " " " Guide Pin.....
2763	24158	Rock Shaft.....
7539	24158	" " Hanger with two wood screws 1 in. No. 10 (2).....
6337	24158	Rock Shaft Lifting Bracket with two 356C (2).....
12243	24158	Rock Shaft Lifting Bracket Hook for 80657.....
7125	24158	Rock Shaft Lifting Bracket Hook for 5670
356C	24158	" " " " " Set Screw (2).....
356C	24158	Rock Shaft Lifting Bracket Set Screw (2)
2770	24158	" " Stop Dog with 140219C.....
140219C	24158	" " " " Set Screw.....
37138	24158	Rock Shaft complete, Nos. 2763, 2770, 7125, 12243 and two each 6337 and 7539....
4881	24158	Treadle.....
4882	24158	" Shaft.....
4883	24158	" Spring.....
4884	24158	" Stand.....
4885	24158	Treadle complete, Nos. 4879, 4881 to 4884 and two wood screws 1 in. No. 16....
56859	-----	Foot Lifter complete, Nos. 76D, 802D, 152LJ, 4724 to 4728, 4885, 5670, 12234, 12235, 12416, 37138 and 80657.....

HEMMERS (Foot) PLAIN BOTTOM

FOR NO. 16-137 MACHINE

No.	Plate	Name
25910	24159	Hemmer (foot) plain bottom, narrow, for 3/32 in. hem.....
25911	24159	Hemmer (foot) plain bottom, for 3/32 in. hem.....
25912	24159	Hemmer (foot) plain bottom, for 1/8 in. hem.....
25913	24159	Hemmer (foot) plain bottom, for 3/16 in. hem.....
25914	24159	Hemmer (foot) plain bottom, for 1/4 in. hem.....

KNEE LIFTER PARTS

FOR NO. 16-137 MACHINE

No.	Plate	Name
80657	6292	Bell Crank with 445C.....
445C	6292	" " Set Screw.....
12234	6292	" " Shaft.....
12235	6292	" " Spring.....
5607	6292	Lifting Lever.....
5614	6292	" " Connecting Rod.....
802D	6292	" " Hinge Screw.....
5608	6294	Presser Bar Lifting Bracket with 453AL..
453AL	6294	" " " " Set Screw...
2763	24158	Rock Shaft.....
7539	24158	" " Hanger with two wood screws 1 in. No. 10 (2).....
2765	24158	Rock Shaft Knee Arm.....
2766	24158	" " " " Hub with 356C.....
356C	24158	" " " " " Set Screw.....
2768	-----	Rock Shaft Knee Arm complete, Nos. 2765 to 2767.....
2767	24158	Rock Shaft Knee Plate with 356C.....
356C	24158	" " " " Set Screw.....
6337	24158	" " Lifting Bracket with two 356C
2778	24158	" " " " Hook.....
356C	24158	" " " " " Set Screw
356C	24158	" " " " " Set Screw....
2770	24158	" " Stop Dog with 140219C (2)...
140219C	24158	" " " " Set Screw (2).....
12250	24158	Rock Shaft complete, Nos. 2763, 2768, 2778, 6337 and two each 2770 and 7539.....
56861	-----	Knee Lifter complete, Nos. 802D, 5607, 5608, 5614, 12234, 12235, 12250 and 80657.....

KNEE LIFTER PARTS

FOR NO. 16-141 MACHINE

No.	Plate	Name
80657	6297	Bell Crank with 445C.....
445C	6297	" " Set Screw.....
12234	6297	" " Shaft.....
12235	6297	" " Spring.....
4724	6297	Lifting Lever with 448AL.....
4728	6297	" " Connecting Rod.....

KNEE LIFTER PARTS

No.	Plate	Name
12416	6297	Lifting Lever Connecting Rod Joint.....
76D	6297	" " " " " Hinge Screw.....
1521J	6297	Lifting Lever Connecting Rod Lock Nut...
802D	6297	" " Hinge Screw.....
4727	6297	" " Pin.....
448AL	6297	" " " Set Screw.....
4725	6298	" Presser Bar Lifting Bracket....
4726	6298	" " " " " Guide Pin.....
2763	24158	Rock Shaft.....
7539	24158	" " Hanger with two wood screws 1 in. No. 10 (2).....
2765	24158	Rock Shaft Knee Arm.....
2766	24158	" " " " Hub with 356C.....
356C	24158	" " " " " Set Screw.....
2768	-----	Rock Shaft Knee Arm complete, Nos. 2765 to 2767.....
2767	24158	Rock Shaft Knee Plate with 356C.....
356C	24158	" " " " " Set Screw.....
6337	24158	" " Lifting Bracket with two 356C
2778	24158	" " " " Hook.....
356C	24158	" " " " " Set Screw
356C	24158	" " " " " Set Screw....
2770	24158	" " Stop Dog with 140219C (2)...
140219C	24158	" " " " Set Screw (2).....
12250	24158	Rock Shaft complete, Nos. 2763,2768,2778, 6337 and two each 2770 and 7539.....
56862	-----	Knee Lifter complete, Nos. 76D, 802D, 1521J, 4724 to 4728, 12234, 12235, 12250, 12416 and 80657.....

PLAIN ROLLER PRESSERS FOR NO. 16-137 MACHINE

Diameter of Roller	9/16"	9/16"	7/8"	7/8"	1 1/4"	1 1/4"	1 1/2"	1 1/2"
Face of Roller	9/64"	9/64"	9/64"	9/64"	9/64"	9/64"	1/8"	1/8"
Knurl of Roller	Coarse	Fine	Coarse	Fine	Coarse	Fine	Coarse	Fine
Roller	1867	1843	1868	1841	1839	1869	1870	1853
Roller Arm	2202	2202	2203	2203	16098	16098	4863	4863
Roller Arm Adjusting Screw	440F	440F	440F	440F	440F	440F	440F	440F
Roller Arm Adjusting Screw 440F with 1547J	15446	15446	15446	15446	15446	15446	15446	15446
Roller Arm Adjusting Screw Nut	1547J	1547J	1547J	1547J	1547J	1547J	1547J	1547J
Roller Arm Bracket	2206	2206	2206	2206	4282	4282	4367	4367
Roller Arm Bracket Screw Center	316F	316F	316F	316F	316F	316F	316F	316F
Roller Arm Bracket Screw Center 316F with 1547J	15444	15444	15444	15444	15444	15444	15444	15444
Roller Arm Bracket Screw Center Nut	1547J	1547J	1547J	1547J	1547J	1547J	1547J	1547J
Roller Arm Lock Spring	2205	2205	2205	2205	2205	2205	2205	2205
Roller Arm Lock Spring Screw	176J	176J	176J	176J	176J	176J	176J	176J
Roller Arm Lock Spring Screw Nut	1549J	1549J	1549J	1549J	1549J	1549J	1549J	1549J
Roller Screw	388D	388D	652D	652D	388D	388D	388D	388D
Roller Screw Nut	1550J	1550J	1528J	1528J	1528J	1528J	1528J	1528J
Roller Presser complete	2194	2195	2196	2197	16099	16100	2200	2201

NUMERICAL LIST OF PARTS

No.	Plate	Name
35D	24053	Bobbin Winder Stop Latch Hinge Screw for 27647 and 27656.....
46D	24152	Bobbin Winder Hinge Screw, for use with Bobbin Winder No. 5528.....
58E	6290	Feed Regulator Hinge Screw.....
76D	6297	Lifting Lever Connecting Rod Joint Hinge Screw for 56859 and 56862.....
94D	24156	Edge Guide Slide Lever Hinge Screw for 26810.....
123E	6299	Arm Screw (3).....
141C	6293	Feed Wheel Frame Adjusting Screw for 56834 (2).....
144D	6290	Arm Shaft Screw.....
145E	6290	Crank Connecting Rod Cap Screw for 4292 (2).....
145F	6291	Shuttle Race Screw (2).....
151C	6293	Feed Wheel Friction Plate (back) Screw for 56834.....
155C	6294	Needle Bar Connecting Stud Set Screw for 2052 and 15472.....
157J	6297	Feed Lifting Rock Shaft Crank Clamping Screw for 3166.....
157J	6292	Feed Rock Shaft Crank Clamping Screw for 29633.....
164J	6291	Face Plate Screw for 16-137 Machine.....
175J	6296	" " " for 16-141 Machine (3)
176J	6294	Roller Arm Lock Spring Screw for 2194 to 2197, 2200, 2201, 16099 and 16100...
183C	6293	Feed Wheel Friction Plate (front) Screw for 56834.....
183F	6293	Feed Wheel Retaining Clutch Cap Screw for 56834.....
190J	24155	Binder Ribbon Tension Screw for 26972...
190J	24156	Edge Guide Screw, for use with Edge Guide No. 26810.....
190J	6294	Presser Foot Screw for 16-137 Machine...
190J	6294	Roller Presser Screw for 16-137 Machine.
196F	6294	Needle Clamp Screw for 2167 and 4285....
207F	24155	Binder Folder Screw for 26972 and 28371.
207F	24156	Edge Guide Slide Cap (left) Screw for 26810.....
207F	24156	Edge Guide Slide Cap (right) Screw (large) for 26810.....
208AL	6296	Feed Dog Screw for 16-141 Machine (2)..
217J	6298	Lifting Presser Foot Screw for 16-141 Machine.....

**Genuine Singer Needles should be used
in Singer Machines.
These Needles and their Containers
are marked with the
Company's Trade Mark "SIMANCO." 1**

**Needles in Containers marked
"For Singer Machines"
are not Singer made needles. 2**

No.	Plate	Name
217J	6298	Vibrating Presser Foot Screw for 16-141 Machine.....
220J	24156	Edge Guide Leveling Screw for 26810 (4)
226J	6292	Oscillating Shaft Crank Slide Block Cap Screw for 15171.....
233J	24156	Edge Guide Slide Cap (right) Screw (small) for 26810.....
233J	6291	Face Plate Thread Guard Screw for 56775 and 56873.....
233J	6294	Needle Bar Thread Guard Screw for 16-137 Machine.....
233J	6291	Thread Take-up Spring Regulator Plate Adjusting Screw for 56775 and 56873.
240D	6293	Feed Wheel Retaining Clutch Spring Screw for 56834.....
248A	6290	Clamp Stop Motion Clamp Stop Screw for 3022.....
256J	6290	Clamp Stop Motion Clamp Screw for 3022..
262J	6294	Pressure Regulating Thumb Screw.....
284D	6299	Guide Thumb Screw.....
290E	6294	Needle Bar Screw Bushing for 16-137 Machine (2).....
290E	6294	Presser Bar Screw Bushing for 16-137 Machine.....
307C	6297	Feed Lifting Rock Shaft Screw Center for 56814 (2).....
307C	6292	Feed Rock Shaft Screw Center for 56814 (2).....
307C	6292	Feed Wheel Frame Shaft Screw Center for 56814 (2).....
313C	6297	Feed Bar Screw Center for 56813 (2)....
313C	6292	" Wheel Driver Link Screw Center for 56813 (2).....
316F	6294	Roller Arm Bracket Screw Center for 15444 (2).....
324D	6292	Feed Wheel Driver Link Screw for 4356...
337J	24155	Binder Ribbon Guide Screw for 28371....
337J	6298	Vibrating Presser Bar Spring Screw for 16-141 Machine.....
356C	24158	Rock Shaft Knee Arm Hub Set Screw for 2766.....
356C	24158	Rock Shaft Knee Plate Set Screw for 2767
356C	24158	" " Lifting Bracket Hook Set Screw for 6337.....
356C	24158	Rock Shaft Lifting Bracket Set Screw for 6337.....
375C	6290	Crank Connecting Rod Hinge Screw.....
375C	6290	Feed Connecting Link Hinge Screw for 5749 (2).....
375C	6290	Feed Forked Connection Hinge Screw.....

No.	Plate	Name
377C	6294	Needle Bar Connecting Link Hinge Screw for 16-137 Machine.....
386D	24157	Roller Screw for 1839, 1853, 1869 and 1870.....
388D	24157	Roller Screw for 1843 and 1867.....
390E	6298	Needle Bar Connecting Link Adjusting Screw for 4898.....
404J	6298	Guide Bar Lifting Bracket Screw for 4730 (3).....
418E	24053	Bobbin Winder Tension Screw Stud for 27308.....
435AL	6299	Balance Wheel Set Screw for 56899 (2)..
437C	6299	" " Speed Pulley Set Screw for 2140.....
440F	6294	Roller Arm Adjusting Screw for 15446....
445C	6292	Bell Crank Set Screw for 80657.....
446AL	6295	Feed Cam Set Screw for 3032.....
446AL	6290	Feed Eccentric Set Screw for 3074.....
446AL	6290	Thread Take-up Cam Set Screw for 3182 and 3190.....
448AL	6290	Arm Shaft Bushing (back) Set Screw.....
448AL	6290	Balance Wheel Set Screw for 3008, 3009, 4370 and 4388 (2).....
448AL	6297	Lifting Lever Pin Set Screw for 4724....
448AL	6291	Tension Screw Stud Set Screw for 56775 and 56873.....
451C	6299	Balance Wheel Speed Pulley Set Screw for 2139.....
453AL	6294	Presser Bar Lifting Bracket Set Screw for 5608.....
454C	6293	Feed Wheel Frame Set Screw for 3113....
460AL	6291	Thread Retaining Stud Set Screw for 56775 and 56873.....
462AL	6290	Clamp Stop Motion Flanged Bushing Set Screw for 4933 (2).....
462AL	6292	Oscillating Shaft Crank Set Screw for 15164 and 15165.....
462AL	6292	Shuttle Driver Set Screw for 68752 (2).
591F	6294	" Tension Regulating Screw for 15277.....
592E	6294	Shuttle Bobbin Case Latch Stop Screw for 15277.....
598C	6298	Lifting Presser Bar Lifter Screw for 16-141 Machine.....
600C	6291	Tension Screw Stud for 16202.....
635C	6290	Oscillating Rock Shaft Hinge Pin Screw Bearing for 15489.....
641E	6298	Lifting Presser Bar Bracket Clamping Screw for 3133.....
648J	6296	Shuttle Race Back Spring Screw for 56897

No.	Plate	Name
651D	6298	Needle Clamp Thread Guide Screw for 4865
652D	6294	Roller Screw for 1841 and 1868.....
662R	6291	Shuttle Race Cap Screw for 2983 and 15420.....
689C	6294	Presser Bar Lifter Screw for 16-137 Ma- chine.....
690E	6296	Guide Bar Driving Crank Wedge Screw for 16-141 Machine.....
691F	6293	Throat Plate Screw.....
802D	6292	Lifting Lever Hinge Screw for 56858, 56859, 56861 and 56862.....
810D	6298	Vibrating Presser Bar Hinge Cap Screw for 4730.....
810E	6298	Vibrating Presser Bar Lifting Bell Crank Hinge Cap Screw for 4730.....
818D	6290	Feed Regulator Thumb Screw for 56886....
907D	6291	Shuttle Race Back Spring Screw for 2983.
1035C	6292	Oscillating Shaft Crank Slide Block Screw Stud for 15171.....
1036AL	24154	Binder Leveling Screw for 120242.....
1038C	6291	Thread Take-up Lever Hinge Screw for 56855.....
1366J	-----	Binder Folder Screw for 120494 and 120495 (2).....
1489D	24152	Bobbin Winder Screw, for use with Bobbin Winders Nos. 5531 and 5533.....
1513J	6297	Feed Lifting Rock Shaft Screw Center Nut for 56814 (2).....
1513J	6292	Feed Rock Shaft Screw Center Nut for 56814 (2).....
1513J	6292	Feed Wheel Frame Shaft Screw Center Nut for 56814 (2).....
1513J	6290	Oscillating Rock Shaft Hinge Pin Nut for 56812.....
1513J	6290	Oscillating Rock Shaft Hinge Pin Screw Bearing Nut for 15489.....
1518E	6290	Crank Connecting Rod Hinge Screw Nut....
1518J	6290	Feed Connecting Link Hinge Screw Nut for 5749 (2).....
1518J	6290	Feed Forked Connection Hinge Screw Nut..
1518E	6294	Needle Bar Connecting Link Hinge Screw Nut for 16-137 Machine.....
1519J	6297	Feed Bar Screw Center Nut for 56813 (2)
1519J	6292	" Wheel Driver Link Screw Center Nut for 56813 (2).....
1519E	6292	Oscillating Shaft Crank Slide Block Screw Stud Nut for 15164 and 15165..
1520J	6294	Presser Bar Lifter Screw Nut for 16-137 Machine.....
1521J	6297	Lifting Lever Connecting Rod Lock Nut for 56859 and 56862.....

No.	Plate	Name
1528J	6293	Feed Wheel Frame Adjusting Screw Nut for 56834 (2).....
1528J	6294	Roller Screw Nut for 1839,1841,1853,1868 to 1870.....
1547J	6294	Roller Arm Adjusting Screw Nut for 15446
1547J	6294	" " Bracket Screw Center Nut for 15444 (2).....
1549J	6294	Roller Arm Lock Spring Screw Nut for 2194 to 2197, 2200, 2201, 16099 and 16100.....
1550J	24157	Roller Screw Nut for 1843 and 1867.....
1560C	6291	Tension Regulating Thumb Nut for 16202..
1562J	24053	Bobbin Winder Tension Regulating Thumb Nut for 27308.....
1620J	24053	Bobbin Winder Frame Hinge Screw Nut for 27647 and 27656.....
1613	6297	Feed Lifting Rock Shaft Crank Roller and Stud for 3166.....
1619	6291	Thread Take-up Lever Roller and Stud for 3072.....
1623	-----	Lifting Presser Bar Bracket Roller and Stud for 3133.....
1839	24157	Roller, 1 1/4 in. diam., 9/64 in. face, coarse, with 386D and 1528J, for 16099.....
1841	6294	Roller, 7/8 in. diam., 9/64 in. face, fine, with 652D and 1528J, for 2197.
1843	24157	Roller, 9/16 in. diam., 9/64 in. face, fine, with 388D and 1550J, for 2195.
1853	24157	Roller, 1 1/2 in. diam., 1/8 in. face, fine, with 386D and 1528J, for 2201.
1862	6298	Guide Bar Driving Crank Roller (roller only) for 4854.....
1867	24157	Roller, 9/16 in. diam., 9/64 in. face, coarse, with 388D and 1550J, for 2194.....
1668	24157	Roller, 7/8 in. diam., 9/64 in. face, coarse, with 652D and 1528J, for 2196
1869	24157	Roller, 1 1/4 in. diam., 9/64 in. face, fine, with 386D and 1528J, for 16100
1870	24157	Roller, 1 1/2 in. diam., 1/8 in. face, coarse, with 386D and 1528J, for 2200.....
2002	6299	Arm Dowel Pin (2).....
2020	6290	Clamp Stop Motion Clamp Washer for 3022.
2022	-----	" " " Flanged Bushing Pin...
2049	-----	Feed Rock Shaft Crank Pin.....
2049	-----	Oscillating Shaft Crank Pin for 56767...
2049	-----	Shuttle Driver Pin.....
2052	6294	Needle Bar Connecting Stud with 155C, for 56773.....

No.	Plate	Name
2058	6298	Lifting Presser Bar for 16-141 Machine..
2058	6294	Presser Bar for 16-137 Machine.....
2070	6298	Lifting Presser Bar Spring Washer for 16-141 Machine.....
2070	6294	Presser Bar Spring Washer for 16-137 Ma- chine.....
2102	23253	Bobbin Winder Tension Disc for 225462 (2).....
2102	6291	Tension Disc for 56791 (2).....
2103	6291	" Spring for 56791.....
2106	6291	" Thread Guard for 56796 and 56872
2106	24053	Bobbin Winder Tension Thread Guide for 27308.....
2107	6291	Face Plate Thread Guard for 56775.....
2111	6291	Thread Retainer Guide complete for 56775 and 56873, Nos. 2112,2114 and 2115..
2112	6291	Thread Retaining Disc with 2113, for 2111.....
2113	6291	Thread Retaining Disc Steady Pin for 2112.....
2114	6291	Thread Retaining Spring for 2111.....
2115	6291	" Stud for 2111.....
2124	6291	" Take-up Spring for 56791.....
2127	6291	" Regulator Plate for 56775 and 56873.....
2139	6299	Balance Wheel Speed Pulley, 1 11/16 in. diam., with 451C.....
2140	6299	Balance Wheel Speed Pulley, 2 3/16 in. diam., with 437C.....
2166	6294	Needle Bar Thread Guard for 16-137 Ma- chine.....
2167	6294	Needle Clamp with 196F, for 16-137 Ma- chine.....
2180	6294	Presser Foot for 16-137 Machine.....
2194	24157	Roller Presser complete, 9/16 in. diam., 9/64 in. face, coarse roller, for 16-137 Machine, Nos.176J,1549J,1867, 2202,2205,2206,15446 and two 15444..
2195	24157	Roller Presser complete, 9/16 in. diam., 9/64 in. face, fine roller, for 16-137 Machine, Nos.176J,1549J,1843, 2202,2205,2206,15446 and two 15444..
2196	24157	Roller Presser complete, 7/8 in. diam., 9/64 in. face, coarse roller, for 16-137 Machine, Nos.176J,1549J,1868, 2203,2205,2206,15446 and two 15444..
2197	6294	Roller Presser complete, 7/8 in. diam., 9/64 in. face, fine roller,for 16-137 Machine, Nos.176J,1549J,1841, 2203,2205,2206,15446 and two 15444..

Note: No. 2197 is sent with the 16-137 Machine un-
less another Roller Presser is specified on
order.

No.	Plate	Name
2200	24157	Roller Presser complete, 1 1/2 in. diam., 1/8 in. face, coarse roller, for 16-137 Machine, Nos.176J,1549J,1870, 2205,4367,4863,15446 and two 15444..
2201	24157	Roller Presser complete, 1 1/2 in. diam., 1/8 in. face, fine roller, for 16-137 Machine, Nos.176J,1549J,1853, 2205,4367,4863,15446 and two 15444..
2202	24157	Roller Arm for 2194 and 2195.....
2203	6294	" " for 2196 and 2197.....
2205	6294	" " Lock Spring for 2194 to 2197, 2200, 2201, 16099 and 16100.....
2206	6294	Roller Arm Bracket for 2194 to 2197.....
2252	6293	Feed Wheel Friction Plate (front) for 56834.....
2254	6293	Feed Wheel Retaining Clutch for 56834...
2255	6293	" " " " Cap for 56834
2256	6293	" " " " Spring for 56834.....
2258	6293	Feed Wheel, fine teeth, for 4827 to 4829, for 56834.....
Note: No. 2258 is sent with the 16-137 Machine un- less another Feed Wheel is specified on order.		
2263	6293	Feed Wheel Driver with 2266, for 4356...
2265	6293	" " " Spring for 4356.....
2266	6293	" " " Hook for 2263..
2269	6291	Tension Releaser Hinge Pin for 56775 and 56873.....
2308	----	Presser Bar Spring (light) for 16-137 Machine.....
2358	6298	Lifting Presser Foot for 26972, 35034 and 16-141 Machine.....
2361	6298	Vibrating Presser Bar Hinge Bracket for 56752.....
2362	24156	Edge Guide Slide Cap (left) Steady Pin for 26803.....
2362	----	Vibrating Presser Bar Hinge Bracket Rivet for 56752 (2).....
2455	24053	Bobbin Winder Tension Disc for 27308 (2)
2460	24152	" " Friction Ring (rubber) for 5528, 5531 and 5533.....
2461	24152	Bobbin Winder Pulley for 2694, 5530 and 5533.....
2464	24152	Bobbin Winder Spring, for use with Bobbin Winder No. 5528.....
2466	24152	Bobbin Winder Eccentric for 5531 and 5533.....
2515	6294	Shuttle Body for 15100.....
2530	6296	" Race Body for 15420.....
2531	6296	" " Back for 56897.....

No.	Plate	Name
2532	6291	Shuttle Race Back Position Pin for 2983 and 56897 (2).....
2533	6291	Shuttle Race Back Spring for 2983 and 56897.....
2535	6296	Shuttle Race Cap for 15420.....
2693	24152	Bobbin Winder Spindle for 2694.....
2694	-----	" " " 2693 with 2461, for 5531.....
2763	24158	Rock Shaft for 12250 and 37138.....
2765	24158	" " Knee Arm for 2768.....
2766	24158	" " " " Hub with 356C, for 2768.....
2767	24158	Rock Shaft Knee Plate with 356C, for 2768.....
2768	-----	Rock Shaft Knee Arm complete for 12250, Nos. 2765 to 2767.....
2770	24158	Rock Shaft Stop Dog with 140219C, for 12250 and 37138.....
2778	24158	Rock Shaft Lifting Bracket Hook for 12250.....
2824	6296	Shuttle Race Slide Spring for 80528.....
2846	24152	Bobbin Winder Spindle, for spool, for 2853 and 27611.....
2852	24152	Bobbin Winder Spindle, for bobbin, for 2853.....
2853	-----	Bobbin Winder Spindle 2852 with 2846, for 5533.....
2862	6290	Balance Wheel (stand) heavy rim, 3 in. pulley, for 3022.....
2973	6294	Shuttle Bobbin Case Latch Lever for 15141.....
2974	6294	Shuttle Bobbin Case Latch Lever Fulcrum Pin for 15141.....
2975	6294	Shuttle Bobbin Case Latch Spring for 15277.....
2980	6291	Shuttle Race Back for 2983.....
2981	6291	" " Body for 2983.....
2982	6291	" " Cap for 2983.....
2983	6291	Shuttle Race complete for 16-137 Machine, Nos. 907D, 2533, 2980 to 2982 and two each 662R and 2532.....
2996	6294	Shuttle Bobbin for 15100.....
3005	6290	Arm Shaft Bushing (back).....
3008	-----	Balance Wheel (power) light rim, 1 3/4 in. pulley, with two 448AL.....
3009	-----	Balance Wheel (power) light rim, 2 5/16 in. pulley, with two 448AL.....
3012	-----	Thread Take-up Cam Pin.....
3022	6290	Clamp Stop Motion complete, Nos. 248A, 256J, 2020 and 4933.....

No.	Plate	Name
*3023	-----	Clamp Stop Motion Flanged Bushing for 4933.....
3032	6295	Feed Cam with 446AL, for 16-141 Machine.
3037	6290	Feed Forked Connection for 5749.....
3039	6290	" Regulator for 56886.....
3042	6292	" Rock Shaft for 56880.....
3044	6294	Needle Bar for 16-137 Machine.....
*3045	-----	" " Connecting Link for 56773.....
3052	6290	Oscillating Rock Shaft Hinge Pin for 56812.....
3056	6294	Presser Bar Spring (heavy) for 16-137 Machine.....
Note: No. 3056 is regularly furnished with the 16-137 Machine unless otherwise specified on order.		
*3072	-----	Thread Take-up Lever with 1819, for 56855
3074	6290	Feed Eccentric with 446AL, for 4356.....
3077	6292	" Wheel Frame Shaft for 4680.....
3094	6295	Guide Bar Driving Crank Wedge for 16-141 Machine.....
3113	6293	Feed Wheel Frame with 454C, for 56834...
3114	6293	" " Friction Plate (back) for 56834.....
3126	6298	Guide Bar for 56752.....
3131	6298	" " Driving Crank Roller Cap for 4854.....
3133	6298	Lifting Presser Bar Bracket with 641E and 1823, for 16-141 Machine.....
3134	6298	Vibrating Presser Bar for 4730.....
3136	6298	" " Foot for 16-141 Machine
3137	6298	" " Bar Spring for 56844...
3163	6297	Feed Lifting Rock Shaft complete for 16-141 Machine, Nos. 3165 and 3166..
3165	6297	Feed Lifting Rock Shaft for 3163.....
3166	6297	" " " Crank with 157J and 1813, for 3163.....
3168	6292	Oscillating Shaft for 56767.....
3182	6290	Thread Take-up Cam 56828 with 446AL, for 16-137 Machine.....
3190	6295	Thread Take-up Cam 56829 with 446AL, for 16-141 Machine.....
4265	6298	Needle Clamp with 196F, for 4865.....
4266	6298	" " Thread Guide for 4865.....
4282	24157	Roller Arm Bracket for 16099 and 16100..
*4287	-----	Arm with 444B, 4449, 15404 and two 15405, for 16-137 Machine.....
4288	6299	Arm Side Cover.....
4292	6290	Crank Connecting Rod with two 145E.....
4304	6290	Oscillating Rock Shaft with 4784, for 5747.....

No.	Plate	Name
4305	6296	Shuttle Race Slide for 80528.....
4307	6291	" " " Spring for 4351.....
4347	24153	Wrench for 1513 and 1518 (Accessories)
4350	6291	Shuttle Race Slide for 4351.....
4351	6291	Shuttle Race Slide complete for 4356, Nos. 4307, 4350 and two 4352.....
4352	6291	Shuttle Race Slide Spring Rivet for 4351 (2).....
4356	-----	Wheel Feed complete for 16-137 Machine, Nos. 324D, 2263, 2265, 3074, 4351, 4680, 4827, 4828 and 4993.....
4359	6295	Arm Shaft for 16-141 Machine.....
4367	24157	Roller Arm Bracket for 2200 and 2201....
4368	6290	Arm Shaft for 56837.....
4369	6291	Tension Releaser for 56775.....
4370	6290	Balance Wheel (stand) heavy rim, 2 3/4 in. pulley, with two 448AL.....
Note: No. 4370 is regularly furnished with the 16-137 Machine unless another Balance Wheel is specified on order.		
4378	6296	Tension Releaser for 56873.....
4388	6295	Balance Wheel (power) light rim, 2 3/4 in. pulley, with two 448AL.....
Note: 4388 is regularly furnished with the 16-141 Machine unless another Balance Wheel is specified on order.		
4391	6297	Feed Bar for 16-141 Machine.....
4448	6299	Arm Oil Tube, for intermediate bearing, for 4287 and 4722.....
*4449	-----	Arm Shaft Bushing (front) for 4287 and 4722.....
4642	6296	Feed Dog, 15 teeth (16 teeth to the inch) for 4646 and 56836, for 16-141 Ma- chine.....
Note: No. 4642 is regularly furnished with the 16-141 Machine unless another Feed Dog is specified on order.		
4646	6296	Throat Plate, large needle hole, for 4642 and 56835, for 16-141 Machine..
Note: No. 4646 is regularly furnished with the 16-141 Machine unless another Throat Plate is specified on order.		
4680	-----	Feed Wheel Frame complete for 4356, Nos. 3077 and 56834.....
*4722	-----	Arm with 4448, 4449, 15404 and two 15405, for 16-141 Machine.....
4723	6298	Guide Bar Lifting Bracket for 4730.....
4724	6297	Lifting Lever with 448AL, for 56859 and 56862.....
4725	6298	Lifting Presser Bar Lifting Bracket for 56859 and 56862.....

No.	Plate	Name
4726	6298	Lifting Presser Bar Lifting Bracket Guide Pin for 56859 and 56862.....
4727	6297	Lifting Lever Pin for 56859 and 56862...
4728	6297	" " Connecting Rod for 56859 and 56862.....
4730	6298	Guide Bar complete for 16-141 Machine, Nos. 810D, 810E, 3134, 4723, 4897, 56844 and three 404J.....
4784	6290	Oscillating Rock Shaft Oil Pad for 4304.
4827	6293	Throat Plate, large oblong needle hole, for 2258 and 15022, for 4356.....
4828	6293	Throat Plate, medium oblong needle hole, for 2258 and 15022, for 4356.....
Note: Nos. 4827 and 4828 are sent with the 16-137 Machine unless other Throat Plates are specified on order.		
4829	-----	Throat Plate, small oblong needle hole, for 2258 and 15022.....
4854	6298	Guide Bar Driving Crank with 1862 and 3131, for 16-141 Machine.....
4855	6298	Lifting Presser Bar Lifter for 16-141 Machine.....
4863	24157	Roller Arm for 2200 and 2201.....
4865	6298	Needle Clamp complete for 16-141 Machine, Nos. 651D, 4265 and 4266.....
4879	24158	Chain Connecting Link for 4885.....
4881	24158	Treadle for 4885.....
4882	24158	" Shaft for 4885.....
4883	24158	" Spring for 4885.....
4884	24158	" Stand for 4885.....
4885	24158	Treadle complete for 56858 and 56859, Nos. 4879, 4881 to 4884 and two wood screws 1 in. No. 16.....
4897	6298	Vibrating Presser Bar Lifting Bell Crank for 4730.....
*4898	-----	Needle Bar Connecting Link with 390E, for 56764.....
4933	6290	Clamp Stop Motion Flanged Bushing 3023 with two 462AL, for 3022.....
4993	6292	Feed Wheel Driver Link for 4356.....
5522	24152	Bobbin Winder Frame for 5523.....
5526	24152	" " " for 5531 and 5533...
5528	24152	Bobbin Winder (tight wheel) complete, Nos. 2460, 5522 and 5530.....
5529	24152	Bobbin Winder Spindle for 5530.....
5530	-----	" " " 5529 with 2461, for 5528.....
5531	24152	Bobbin Winder (loose wheel) complete, Nos. 2460, 2466, 2694, 5526 and 51224W.
5533	24152	Bobbin Winder (loose wheel) complete, with spindle for spool, Nos. 2460, 2461, 2466, 2853, 5526 and 51224W...

NUMERICAL LIST OF PARTS

No.	Plate	Name
5607	6292	Lifting Lever for 56858 and 56861.....
5603	6294	Presser Bar Lifting Bracket with 453AL, for 56858 and 56861.....
5614	6292	Lifting Lever Connecting Rod for 56858 and 56861.....
5670	24158	Chain, length 26 in. to 35 in., with 56864 and 56865, for 56858 and 56859
Note: When ordering No. 5670, state length required.		
5747	6290	Oscillating Rock Shaft 4304 with 15489 and 56812.....
5749	6290	Feed Forked Connection complete, Nos. 3037, 52165, 56886 and two each 375C and 1516J.....
6337	24158	Rock Shaft Lifting Bracket with two 356C, 12250 and 37138.....
7071	24155	Binder Folder Screw Washer for 26972 and 28371.....
7071	24155	Binder Ribbon Tension Screw Washer for 26972.....
7125	24158	Rock Shaft Lifting Bracket Hook for 37138, for use with 5670.....
7539	24158	Rock Shaft Hanger with two wood screws 1 in. No. 10, for 12250 and 37138 (2)
7806	24155	Binder Ribbon Guide Screw Washer for 28371.....
8908	24153	Wrench for 1519 (Accessories).....
10141	24053	Bobbin Winder Tension Spring for 27308..
11241	6299	Arm Spool Pin Washer (cloth).....
11241	24053	Bobbin Winder Spool Pin Washer (cloth) for 27308.....
12152	24156	Edge Guide Slide Spring Cover Rivet for 121146 (2).....
12234	6292	Bell Crank Shaft for 56858, 56859, 56861 and 56862.....
12235	6292	Bell Crank Spring for 56858, 56859, 56861 and 56862.....
12243	24158	Rock Shaft Lifting Bracket Hook for 37138, for use with 80657.....
12250	24158	Rock Shaft complete for 56861 and 56862, Nos. 2763, 2768, 2778, 6337 and two each 2770 and 7539.....
12361	24153	Machine Hinge Connection (Accessories) (2).....
12416	6297	Lifting Lever Connecting Rod Joint for 56859 and 56862.....
12424	6292	Oscillating Shaft Crank Slide Block Cap Screw Washer for 15171.....
13710	23253	Bobbin Winder Tension Spring for 225462.
15022	-----	Feed Wheel, coarse teeth, for 4827 to 4829, for 16-137 Machine.....

NUMERICAL LIST OF PARTS

No.	Plate	Name
15072	24053	Bobbin Winder Bobbin Position Pin for 27538 and 27610.....
15100	6294	Shuttle, 1 11/16 in. diam., Nos. 2515, 2996 and 15277.....
15140	6294	Shuttle Bobbin Case Latch for 15141.....
15141	6294	" " " Hinge for 15277, Nos. 2973, 2974 and 15140.....
15163	-----	Oscillating Shaft Crank for 15164.....
*15164	-----	Oscillating Shaft Crank complete for 56767, Nos. 462AL, 1519E, 15163 and 15171.....
15165	6292	Oscillating Shaft Crank complete, Nos. 1519E, 15171, 15426 and two 462AL...
15170	6292	Oscillating Shaft Crank Slide Block for 15171.....
15171	-----	Oscillating Shaft Crank Slide Block com- plete for 15164 and 15165, Nos. 226J, 1035C, 12424 and 15170.....
15277	6294	Shuttle Bobbin Case complete for 15100, Nos. 591F, 592E, 2975, 15141 and 15278.
15278	6294	Shuttle Tension Spring for 15277.....
*15404	-----	Trade Mark for 4287 and 4722.....
15405	-----	" " Rivet for 4287 and 4722 (2)
15420	-----	Shuttle Race Body 2530 with 2535 and two 662R, for 56897.....
15426	6292	Oscillating Shaft Crank for 15165.....
15444	-----	Roller Arm Bracket Screw Center 316F with 1547J, for 2194 to 2197, 2200, 2201, 16099 and 16100 (2).....
15446	-----	Roller Arm Adjusting Screw 440F with 1547J, for 2194 to 2197, 2200, 2201, 16099 and 16100.....
15472	6298	Needle Bar Connecting Stud with 155C, for 56764.....
15489	6290	Oscillating Rock Shaft Hinge Pin Screw Bearing 635C with 1513J, for 5747...
16098	24157	Roller Arm for 16099 and 16100.....
16099	24157	Roller Presser complete, 1 1/4 in. diam., 9/64 in. face, coarse roller, for 16-137 Machine, Nos. 176J, 1549J, 1839, 2205, 4282, 15446, 16098 and two 15444.
16100	24157	Roller Presser complete, 1 1/4 in. diam., 9/64 in. face, fine roller, for 16-137 Machine, Nos. 176J, 1549J, 1869, 2205, 4282, 15446, 16098 and two 15444.
16202	6291	Tension Screw Stud 600C with 1560C, for 56791.....
20291	22342	Drip Pan with four 1 in. wire nails, for 16-137 Machine.....
25721	24155	Binder Folder for 26972.....

No.	Plate	Name
25722	24155	Binder Ribbon Tension complete for 26972, Nos. 26614, 26616 and four 26615....
25875	6299	Guide.....
25910	24159	Hemmer (foot) plain bottom, narrow, for 3/32 in. hem, for 16-137 Machine....
25911	24159	Hemmer (foot) plain bottom, for 3/32 in. hem, for 16-137 Machine.....
25912	24159	Hemmer (foot) plain bottom, for 1/8 in. hem, for 16-137 Machine.....
25913	24159	Hemmer (foot) plain bottom, for 3/16 in. hem, for 16-137 Machine.....
25914	24159	Hemmer (foot) plain bottom, for 1/4 in. hem, for 16-137 Machine.....
26026	24153	Screw Driver (machine) Accessories....
26251	24155	Feed Dog, 15 teeth (16 teeth to the inch) for 26252, for 26972.....
26252	24155	Throat Plate, for 26251, for 26972.....
26485	24153	Screw Driver (shuttle tension) Accessories.....
26614	24155	Binder Ribbon Tension Pin (bent) for 25722.....
26615	24155	Binder Ribbon Tension Pin (straight) for 25722 (4).....
26616	24155	Binder Ribbon Tension Plate for 25722....
26803	24156	Edge Guide Bed with 2362, for 26810....
26805	24156	" " Slide Cap (left) for 26810....
26806	24156	" " " " (right) for 26810....
26807	24156	" " " Lever for 26810.....
26808	24156	" " " Spring for 26810.....
26809	24156	" " " Cover for 121146
26810	24156	Edge Guide (roller) complete for 16-141 Machine, Nos. 94D, 233J, 26903, 26905 to 26908, 121146, two 207F and four 220J
26812	24156	Lifting Presser Foot, for use with Edge Guide No. 26810.....
26971	24155	Vibrating Presser Foot for 26972.....
26972	24155	Binder (English) complete for 16-141 Machine, Nos. 190J, 207F, 2358, 25721, 25722, 26251, 26252, 26971 and two 7071
27136	24153	Machine Button with wood screw 1 1/2 in. No. 14 R.H.B. (Accessories).....
27302	24053	Bobbin Winder Frame for 27647 and 27656.
27303	-----	" " Spring for 27647 and 27656.....
27306	24053	Bobbin Winder Spool Pin for 27308.....
27307	24053	" " Stand for 27308.....
27308	24053	Bobbin Winder Spool Stand complete for 27544 and 27612, Nos. 418E, 1562J, 2106, 10141, 11241, 27306, 27307 and two each 2455 and wood screws 1 in. No. 10

No.	Plate	Name
27312	24053	Bobbin Winder Stop Latch for 27647 and 27656.....
27538	24053	Bobbin Winder Spindle with 15072, for 27647.....
27540	24053	Bobbin Winder Base for 27647 and 27656..
27541	24053	" " Pulley for 27647 and 27656
27544	24053	Bobbin Winder (swinging automatic, right hand) complete, Nos. 27308 and 27647
27610	24151	Bobbin Winder Spindle with 15072, for 27611.....
27611	-----	Bobbin Winder Spindle 27610 with 2846, for 27656.....
27612	24151	Bobbin Winder (swinging automatic, right hand) complete with spindle for spool, Nos. 27308 and 27656.....
27647	24053	Bobbin Winder for 27544, Nos. 35D, 1620J, 27302, 27303, 27312, 27538, 27540, 27541, 50356D and two wood screws 1 in. No. 7.....
27656	24151	Bobbin Winder for 27612, Nos. 35D, 1620J, 27302, 27303, 27312, 27540, 27541, 27611, 50356D and two wood screws 1 in. No. 7
28365	24155	Feed Dog, 11 teeth (24 teeth to the inch) for 28369, for 28371.....
28367	24155	Lifting Presser Foot for 28371.....
28369	24155	Throat Plate for 28365, for 28371.....
28370	24155	Vibrating Presser Foot for 28371.....
28371	24155	Binder (English) complete, for circular binding, for sandals, slippers, shoe tongues, etc., for 16-141 Machine, Nos. 207F, 337J, 7071, 7806, 28365, 28367, 28369, 28370, 36620 and 120493, 120494 or 120495.....
29633	6292	Feed Rock Shaft Crank with 157J, for 56830.....
32675	6298	Lifting Presser Bar Spring for 16-141 Machine.....
35026	24156	Corder on Shank for 35034.....
35031	24156	Feed Dog, 15 teeth (14 teeth to the inch) for 35032, for 35034.....
35032	24156	Throat Plate for 35031, for 35034.....
35033	24156	Vibrating Presser Foot for 35034.....
35034	24156	Corder complete, for edge cording plush, for 16-141 Machine, Nos. 2358, 35026 and 35031 to 35033.....
35131	24154	Vibrating Presser Foot, for use with Binders Nos. 35226, 120247 and 120248.....
35226	24155	Binder on Shank, for mattress work, for 16-141 Machine.....

No.	Plate	Name
35227	24154	Feed Dog, 20 teeth (16 teeth to the inch) for 35229, for use with Binders Nos. 35226, 35366, 120247 and 120248.....
35229	24154	Throat Plate, for 35227, for use with Binders Nos. 35226, 35366, 120247 and 120248.....
35230	24154	Lifting Presser Foot, for use with Binders Nos. 35226, 120247 and 120248
35364	24156	Lifting Presser Foot, for use with Binder No. 35366.....
35365	24156	Vibrating Presser Foot, for use with Binder No. 35366.....
35366	24156	Binder on Shank, for folding in upper edge of leather strip, for cap visors, harness housings, etc., for 16-141 Machine.....
36620	24155	Binder Ribbon Guide for 28371.....
37138	24158	Rock Shaft complete for 56858 and 56859, Nos. 2763, 2770, 7125, 12243 and two each 6337 and 7539.....
41400	24153	Machine Rest Pin (wood) Accessories...
50356D	24053	Bobbin Winder Frame Hinge Screw for 27647 and 27656.....
51022J	24155	Binder Folder Screw for 120493 (2).....
51224W	6299	Arm Side Cover Thumb Screw.....
51224W	24154	Binder Guide Thumb Screw for 120247 and 120248.....
51224W	24152	Bobbin Winder Eccentric Thumb Screw for 5531 and 5533.....
51282E	6296	Shuttle Race Slide Spring Screw for 80528 (2).....
51916	24156	Edge Guide Slide Roller and Stud for 121146.....
52016	6294	Presser Bar Lifter for 16-137 Machine...
52165	6290	Feed Connecting Link for 5749.....
52239	6299	Arm Spool Pin and Thread Eyelet.....
*56752	-----	Guide Bar 3126 with 2361 and two 2362, for 56844.....
56764	6298	Needle Bar Connecting Link 4898 with 15472, for 16-141 Machine.....
*56767	-----	Oscillating Shaft 3168 with 2049, 15164 and 68751.....
56773	6994	Needle Bar Connecting Link 3045 with 2052, for 16-137 Machine.....
56775	6291	Face Plate complete for 16-137 Machine, Nos. 448AL, 460AL, 2107, 2111, 2127, 2269, 4369, 56791, 56796 and two 233J.....
56791	6291	Tension complete for 56775 and 56873, Nos. 2103, 2124, 16202 and two 2102.
56796	6291	Face Plate with 2105, for 56775.....

No.	Plate	Name
56812	6290	Oscillating Rock Shaft Hinge Pin 3052 with 1513J, for 5747.....
56813	6297	Feed Bar Screw Center 313C with 1519J, for 16-141 Machine (2).....
56813	6292	Feed Wheel Driver Link Screw Center 313C with 1519J (2).....
56814	6297	Feed Lifting Rock Shaft Screw Center 307C with 1513J, for 16-141 Machine (2).....
56814	6292	Feed Rock Shaft Screw Center 307C with 1513J (2).....
56814	6292	Feed Wheel Frame Shaft Screw Center 307C with 1513J, for 16-137 Machine (2).
*56828	-----	Thread Take-up Cam for 3182.....
*56829	-----	" " " for 3190.....
56834	6293	Feed Wheel Frame complete for 4680, Nos. 151C, 183C, 183F, 240D, 2252, 2254 to 2256, 2258, 3113, 3114 and two each 141C and 1528J.....
56835	-----	Feed Dog, 22 teeth (22 teeth to the inch) for 4646 and 56836, for 16-141 Machine.....
56836	-----	Throat Plate, small needle hole, for 4642 and 56835.....
56837	-----	Arm Shaft 4368 with 3074 and 56828, for 16-137 Machine.....
56844	-----	Guide Bar 56752 with 337D and 3137, for 4730.....
56845	-----	Feed Dog, 15 teeth (16 teeth to the inch) spiked teeth, for 4646 and 56836, for 16-141 Machine.....
56855	6291	Thread Take-up Lever 3072 with 1088C....
56858	-----	Foot Lifter complete for 16-137 Machine, Nos. 802D, 4885, 5607, 5608, 5614, 5670, 12234, 12235, 37138 and 80657.....
56859	-----	Foot Lifter complete for 16-141 Machine, Nos. 76D, 802D, 1521J, 4724 to 4728, 4885, 5670, 12234, 12235, 12416, 37138 and 80657.....
56861	-----	Knee Lifter complete for 16-137 Machine, Nos. 802D, 5607, 5608, 5614, 12234, 12235, 12250 and 80657.....
56862	-----	Knee Lifter complete for 16-141 Machine, Nos. 76D, 802D, 1521J, 4724 to 4728, 12234, 12235, 12250, 12416 and 80657
56864	24158	Chain Hook (large) for 5670.....
56865	24158	" " (small) for 5670.....
56870	6296	Face Plate Thread Guard for 56873.....
56872	6296	" " with 2105, for 56873.....
56873	6296	Face Plate complete for 16-141 Machine, Nos. 448AL, 460AL, 2111, 2127, 2269, 4378, 56791, 56870, 56872 and two 233J.....

No.	Plate	Name
56880	-----	Feed Rock Shaft complete, Nos. 3042 and 29633.....
56886	-----	Feed Regulator 3039 with 818D, for 5749.
56888	6298	Needle Bar, for round shank needle, for 16-141 Machine.....
56897	6296	Shuttle Race complete for 16-141 Machine, Nos. 648J, 2531, 2533, 15420 and two 2532.....
56899	6299	Balance Wheel (light rim) "v" belt groove (outside diam. of belt groove 2.9 in.) with two 435AL.....
*68751	-----	Shuttle Driver for 56767 and 66752.....
68752	6292	" " 68751 with two 462AL.....
80528	6296	Shuttle Race Slide complete for 16-141 Machine, Nos. 2824, 4305 and two 51282E.....
80657	6292	Bell Crank with 445C, for 56858, 56859, 56861 and 56862.....
*80982	-----	Bed.....
120064	24156	Feed Dog, 12 teeth (10 teeth to the inch) spiked teeth, for 35229, for use with Binder No. 35366.....
120242	24154	Binder Bed with 1036AL, for 120247 and 120248.....
120243	24154	Binder Folder (lower) for 120248.....
120244	24154	" " (upper) for 120247 and 120248.....
120245	24154	Binder Guide (center) for 120247 and 120248.....
120246	24154	Binder Guide (lower) for 120247.....
120247	24154	Binder (adjustable) complete, to turn in upper edge only, for light or medium weight material, for 16-141 Machine, Nos. 51224W, 120242 and 120244 to 120246.....
120248	24154	Binder (adjustable) complete, to turn in both edges of light or medium weight material, for 16-141 Machine, Nos. 51224W and 120242 to 120245.....
120342	24153	Oiler (copper plated) with 120343.....
120343	24153	" Spout, 3 1/2 in. long, for 120342.
120493	24155	Binder Folder with two 51022J, for 1/4 in. to 1/2 in. gauges, for 28371....
120494	-----	Binder Folder with two 1368J, for 17/32 in. to 19/32 in. gauges, for 28371..
120495	-----	Binder Folder with two 1368J, for 5/8 in. to 1 in. gauges, for 28371.....
121146	24156	Edge Guide Slide with 26809, 51916 and two 12152, for 26810.....
121332	24156	Finger Guard for 16-141 Machine.....

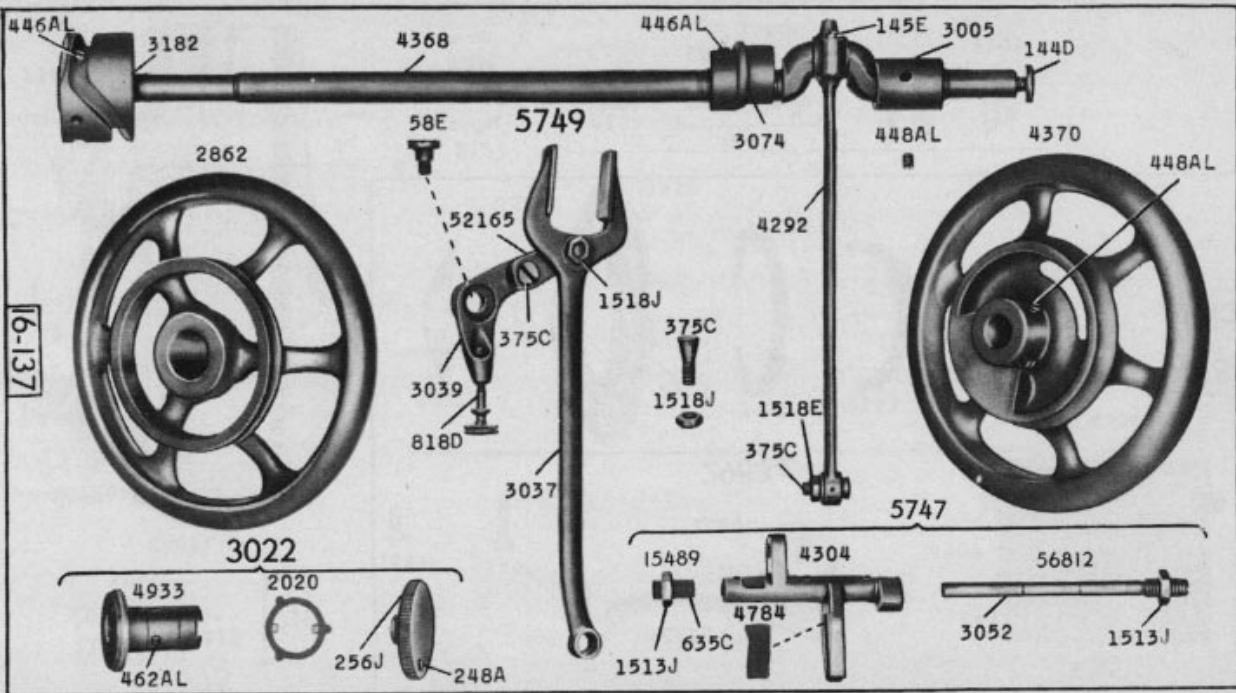
No.	Plate	Name
139622	22341	Drip Pan with four 1 in. wire nails, for 16-141 Machine.....
140219C	24158	Rock Shaft Stop Dog Set Screw for 2770..
200056E	23253	Bobbin Winder Stop Latch Screw for 259431 and 259462.....
200062D	23253	Bobbin Winder Tension Bracket Screw for 259431 and 259462.....
200113F	23253	Bobbin Winder Brake Clamp Screw for 259431 and 259462.....
200299H	23253	Bobbin Winder Stop Latch Trip Lever Hinge Screw for 259431 and 259462...
200380C	23253	Bobbin Winder Pulley Set Screw for 225368 and 259461.....
201572B	23253	Bobbin Winder Tension Stud Thumb Nut for 225462.....
201499B	23253	Bobbin Winder Tension Stud for 225461...
202277	23253	" " Frame Oil Packing (wick) for 225453.....
202478	23253	Bobbin Winder Stop Latch Trip Lever for 259431 and 259462.....
225368	23253	Bobbin Winder Pulley with 200380C, for 259431.....
225381	23253	Bobbin Winder Spindle for 259431 and 259462.....
225438	23253	Bobbin Winder Frame Oil Well Cap for 225453.....
225444	23253	Bobbin Winder Stop Latch for 259431 and 259462.....
225453	23253	Bobbin Winder Frame with 202277 and 225438, for 259431 and 259462.....
225454	23253	Bobbin Winder Frame Hinge Pin for 259431 and 259462.....
225455	23253	Bobbin Winder Frame Spring for 259431 and 259462.....
225456	23253	Bobbin Winder Frame Spring Plunger for 259431 and 259462.....
225458	23253	Bobbin Winder Stop Latch Thumb Lever for 259431 and 259462.....
225459	23253	Bobbin Winder Stop Latch Thumb Lever Hinge Stud for 259431 and 259462....
225459	23253	Bobbin Winder Stop Latch Thumb Lever Joint Stud for 259431 and 259462....
225461	23253	Bobbin Winder Tension Bracket with 201499B, for 225462.....
225462	23253	Bobbin Winder Tension Bracket complete for 259431 and 259462, Nos. 13710, 201572B, 225461 and two 2102.....
228026	23253	Bobbin Winder Tension Bracket Screw Washer for 259431 and 259462.....
259428	23253	Bobbin Winder Brake (leather) for 259431 and 259462.....

NUMERICAL LIST OF PARTS

No.	Plate	Name
259429	23253	Bobbin Winder Brake Clamp for 259431 and 259462.....
259430	23253	Bobbin Winder and Tension Bracket Base for 259431 and 259462.....
259431	23253	Bobbin Winder (swinging automatic, right hand) complete, for power table, for round belt, Nos. 200066E, 200082D, 200113F, 200299H, 202478, 225368, 225381, 225444, 225453 to 225456, 225458, 225462, 228026, 259428 to 259430 and two each 225459 and wood screws 3/4 in. No. 12 R.H.B.....
259461	23253	Bobbin Winder Pulley with 200380C, for 259462.....
259462	23253	Bobbin Winder (swinging automatic, right hand) complete, for power table, for "v" belt, Nos. 200066E, 200082D, 200113F, 200299H, 202478, 225381, 225444, 225453 to 225456, 225458, 225462, 228026, 259428 to 259430, 259461 and two each 225459 and wood screws 3/4 in. No. 12 R.H.B.....

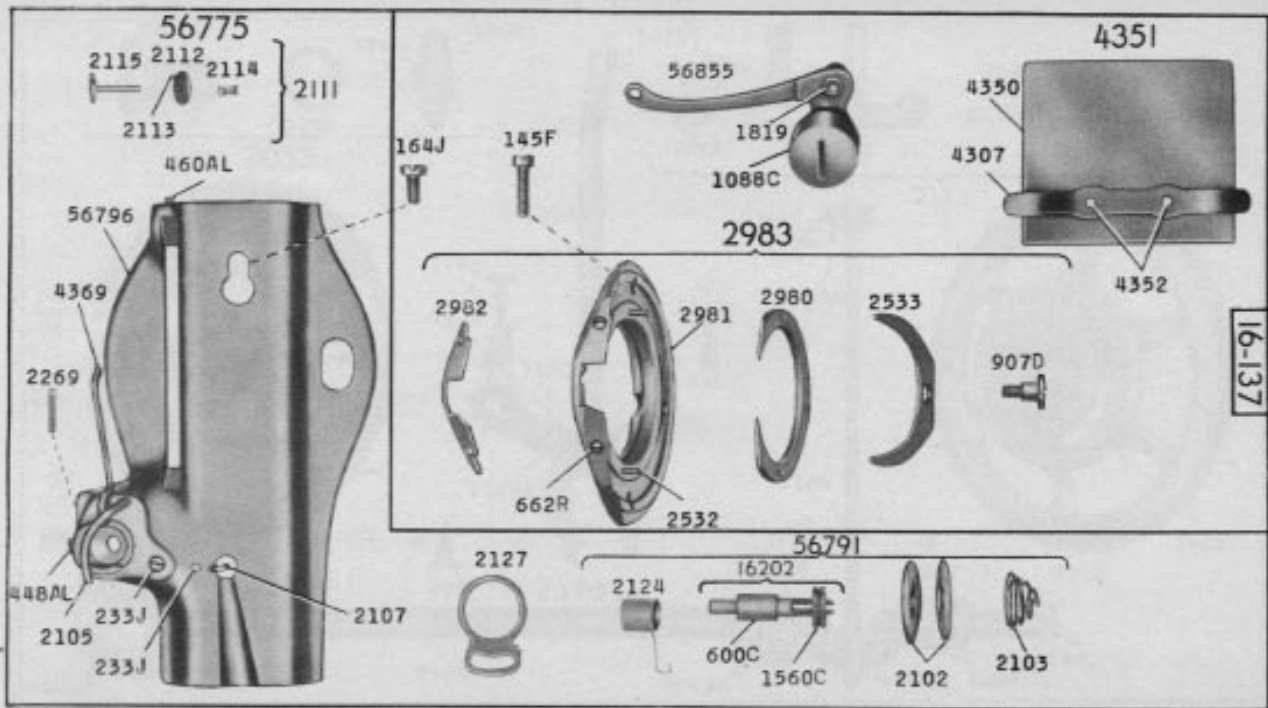
Genuine Singer Needles should be used
in Singer Machines.
These Needles and their Containers
are marked with the
Company's Trade Mark "SIMANCO." 1

Needles in Containers marked
"For Singer Machines"
are not Singer made needles. 2

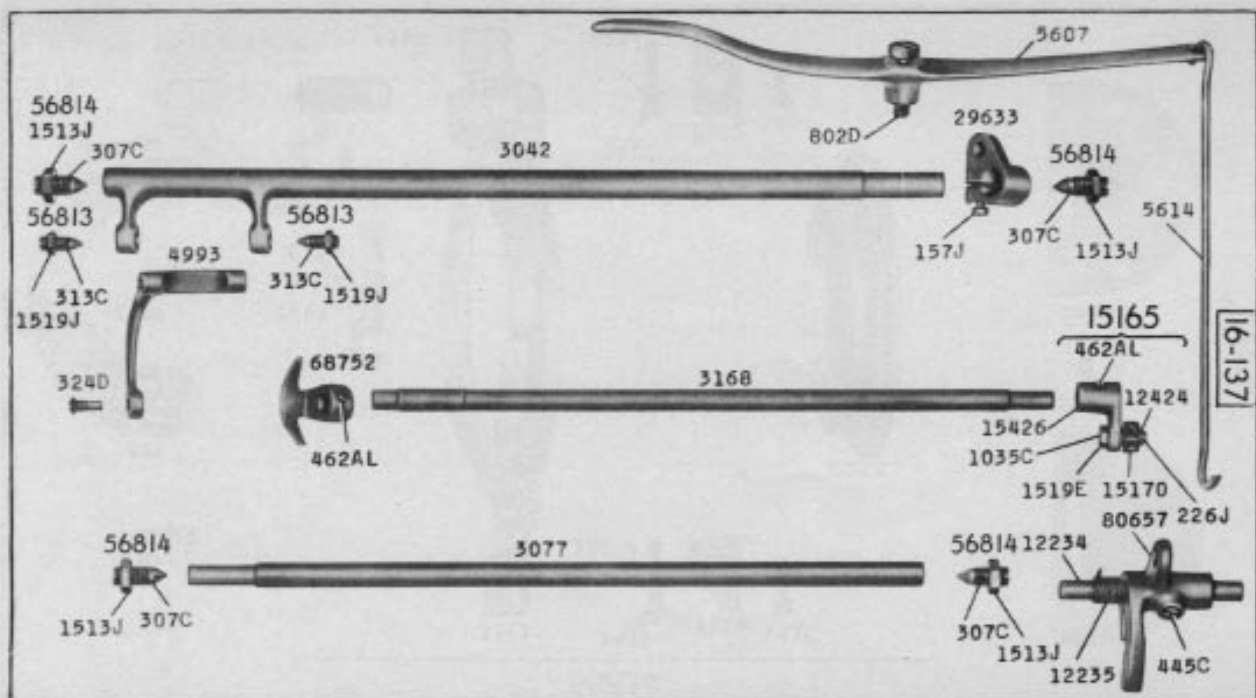


6-137

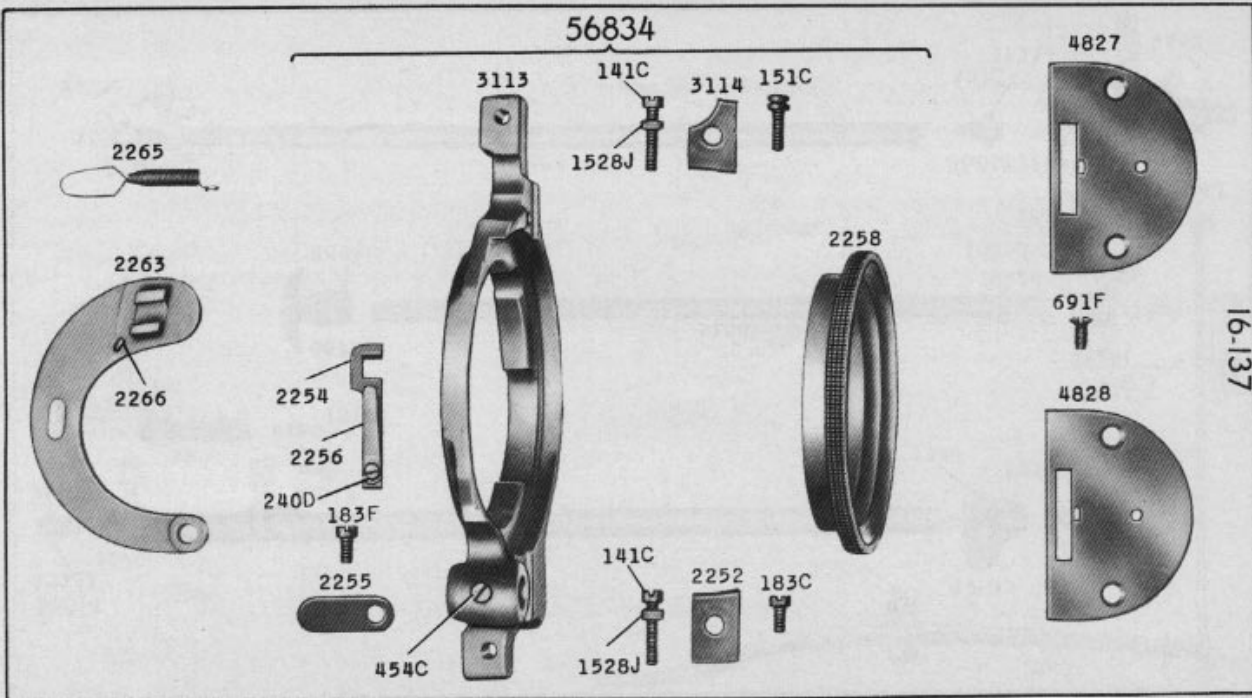
6290 - 1/3



6291 - 1/2
16-137



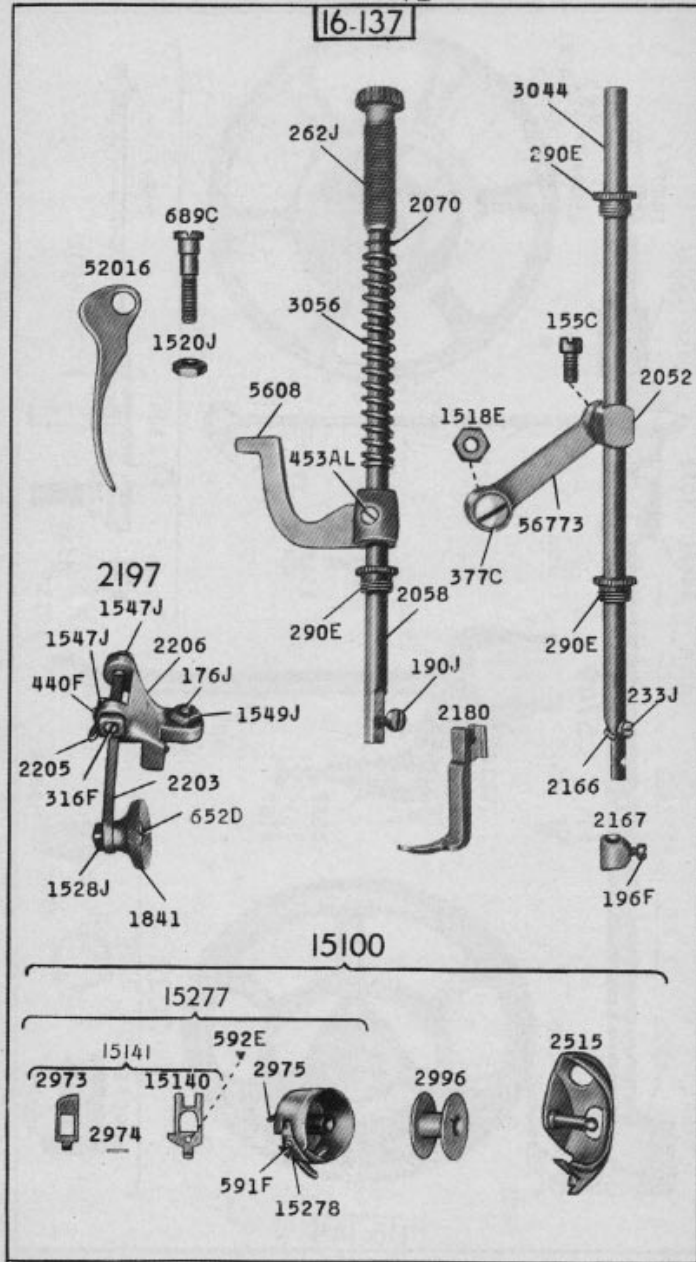
6292 - 1/3
16-137

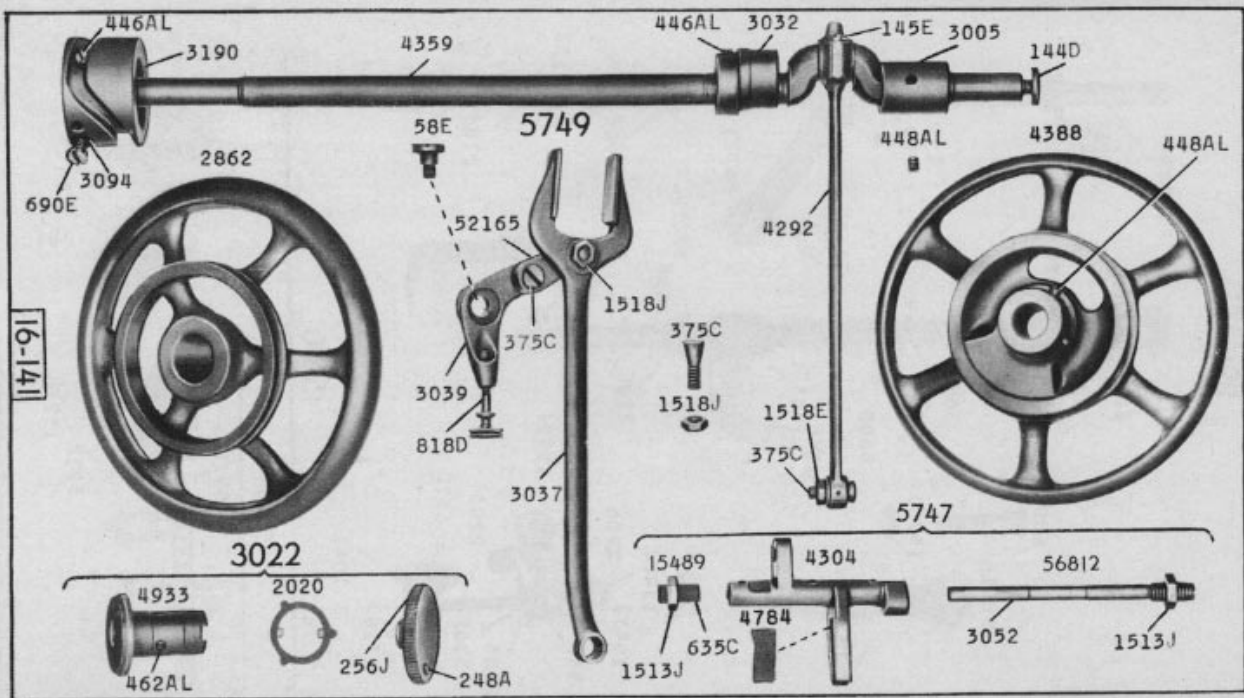


6293 - 1/2
16.137

6294 - 1/2

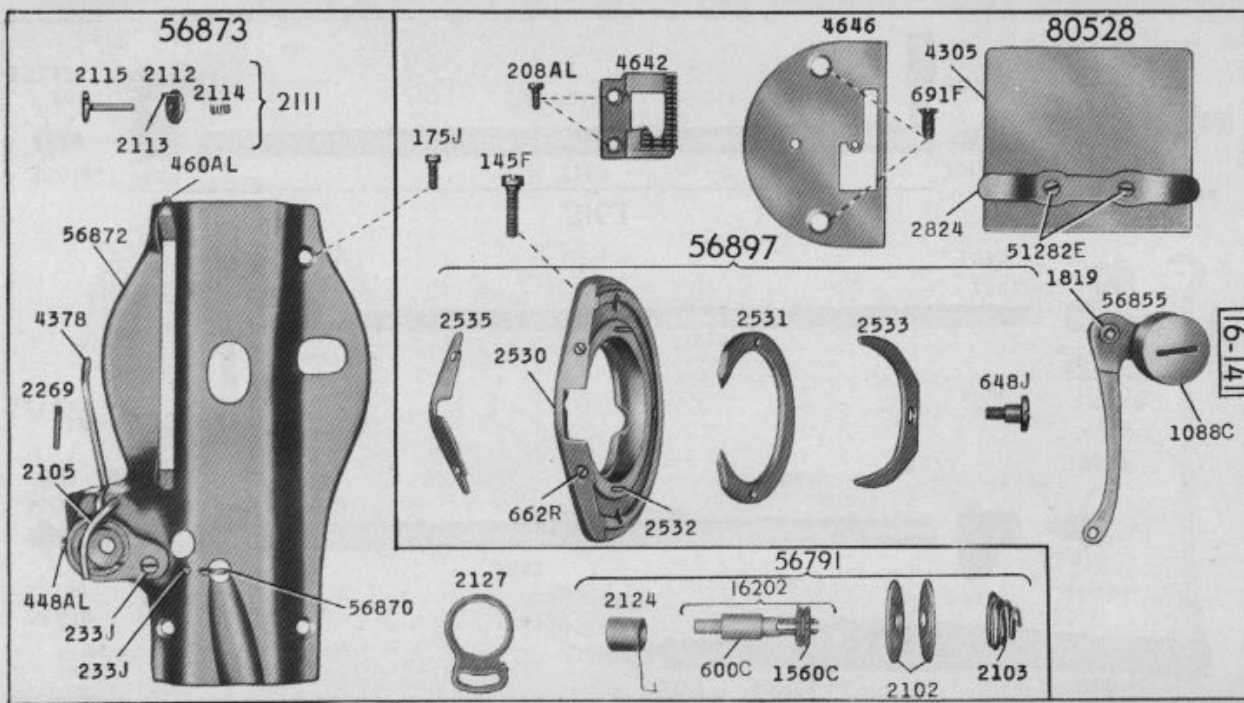
16-137





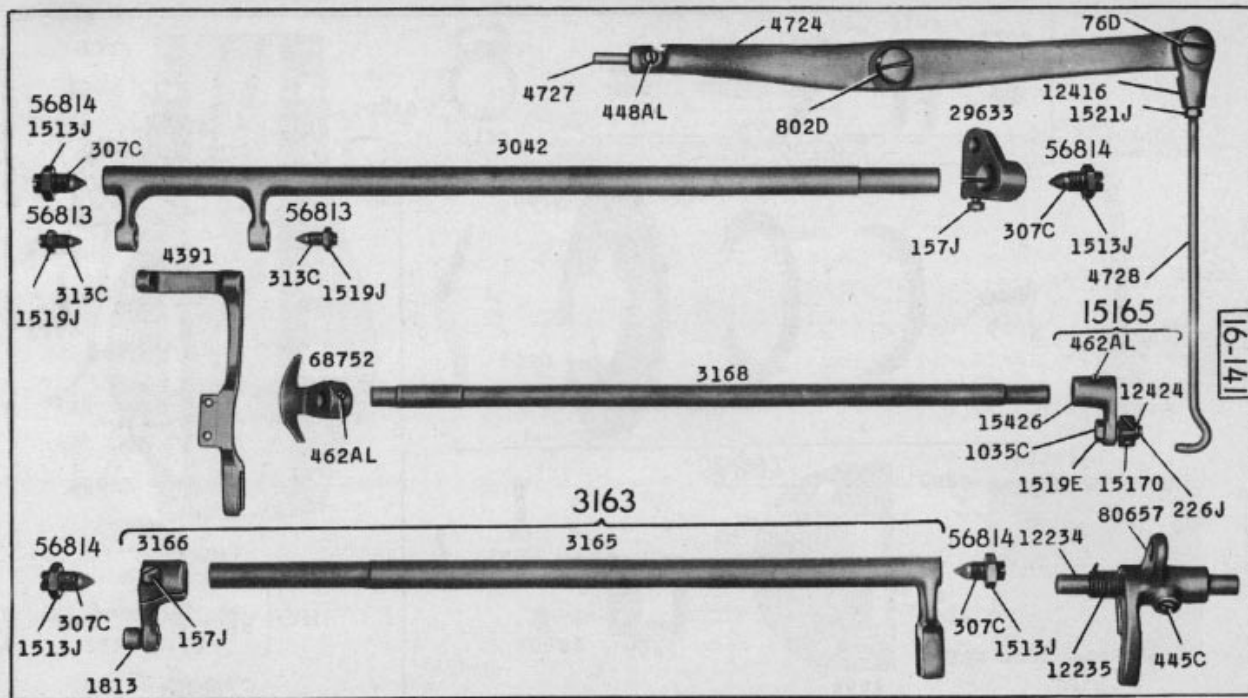
16-141

6295 - 1/3



16-141

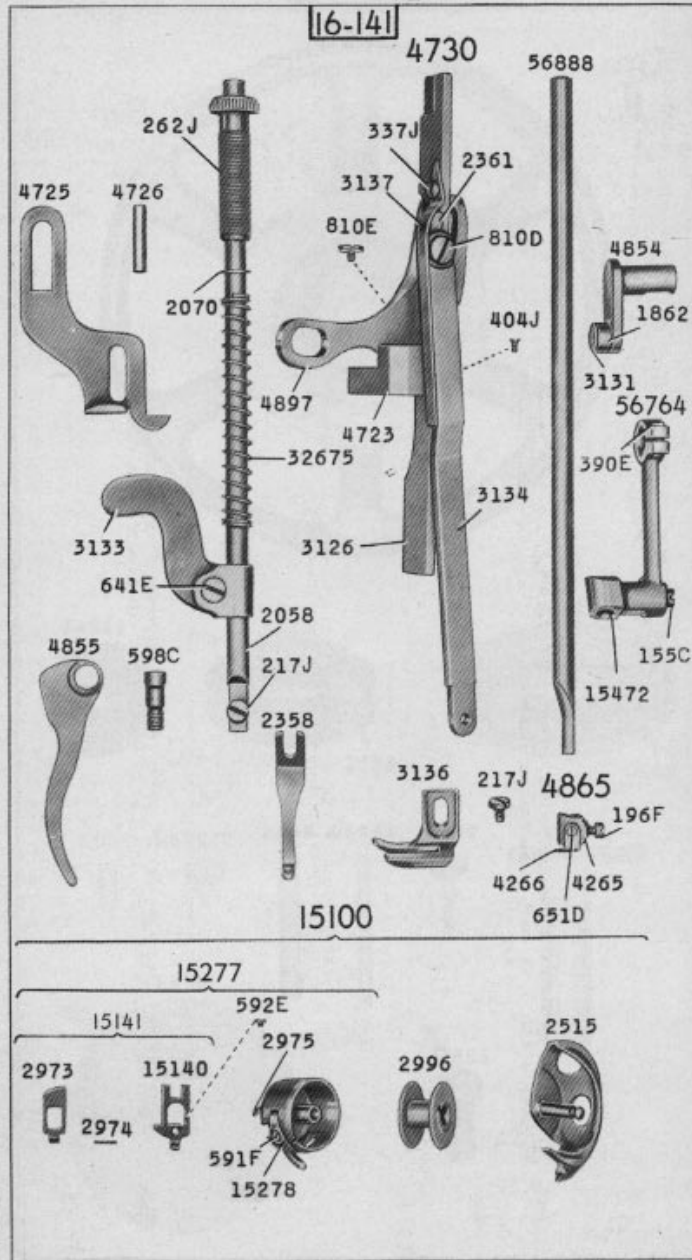
6296 - 1/2



6297 - 1/3
16-141

6298 - 1/2

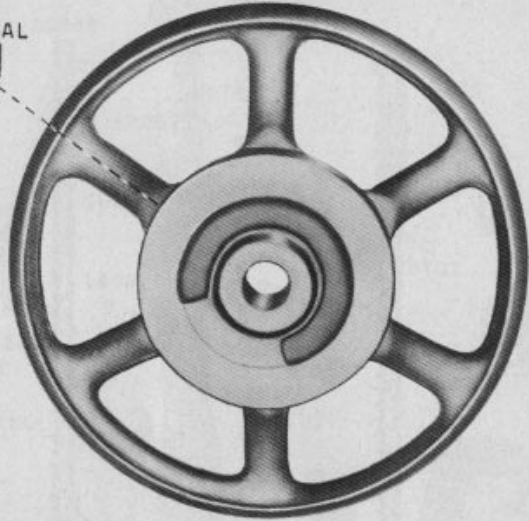
16-141



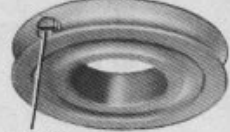
6299 - 1/2

56899

435AL



2140



437C

2139

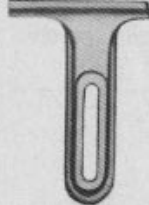


451C

11241



25875



284D



52239



4448



51224W



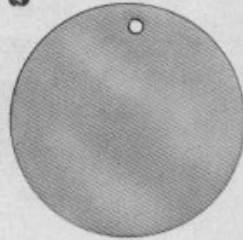
2002



123E



4288



22341 - 1/3

16-141

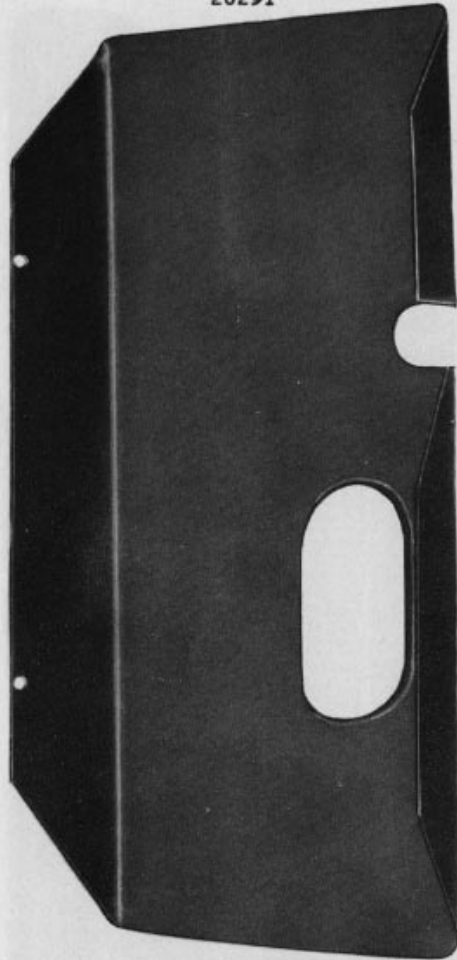
139622



22342 - 1/3

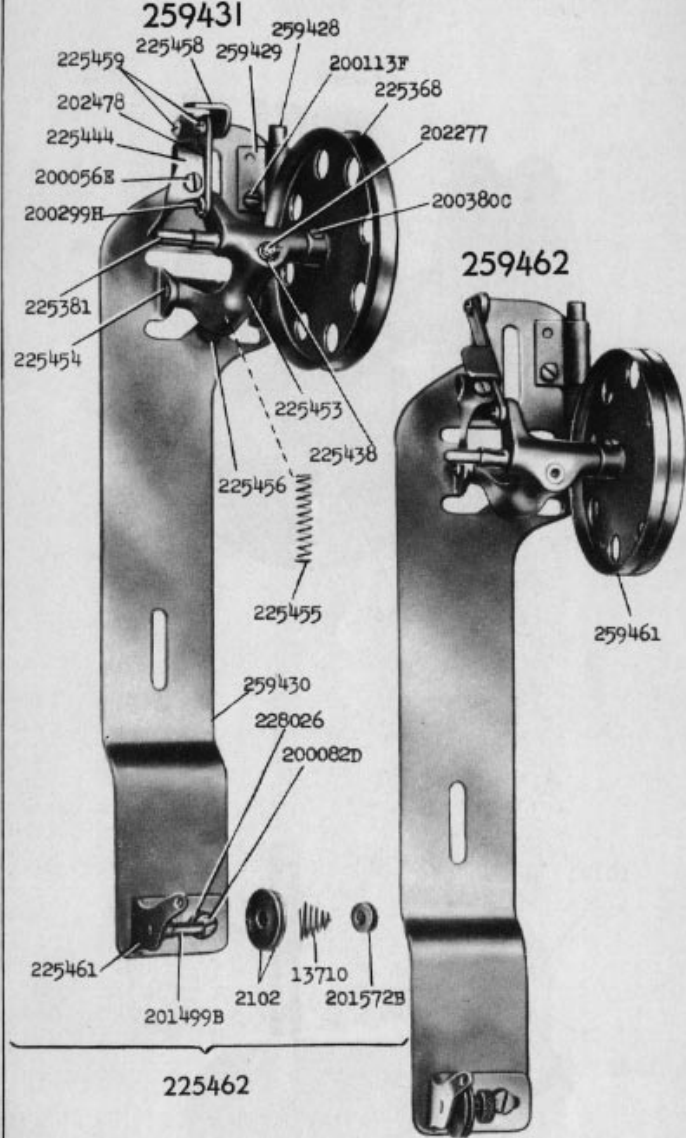
16-137

20291

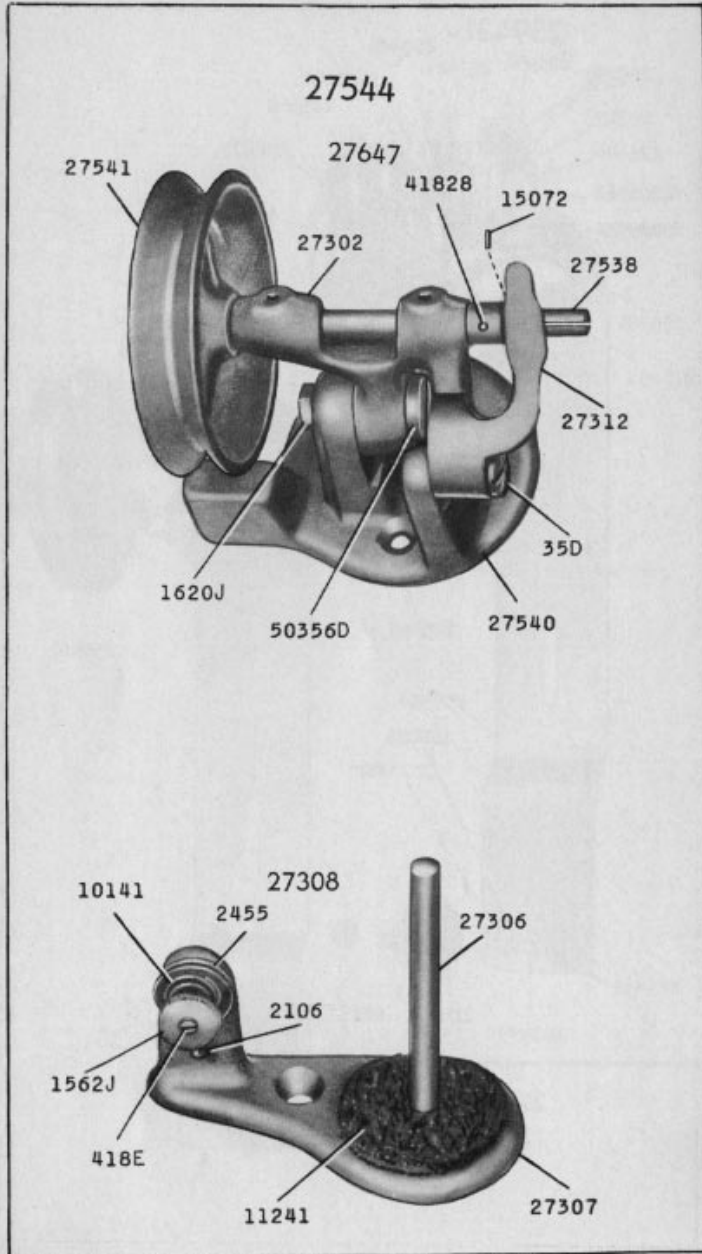


23253 - 3/8

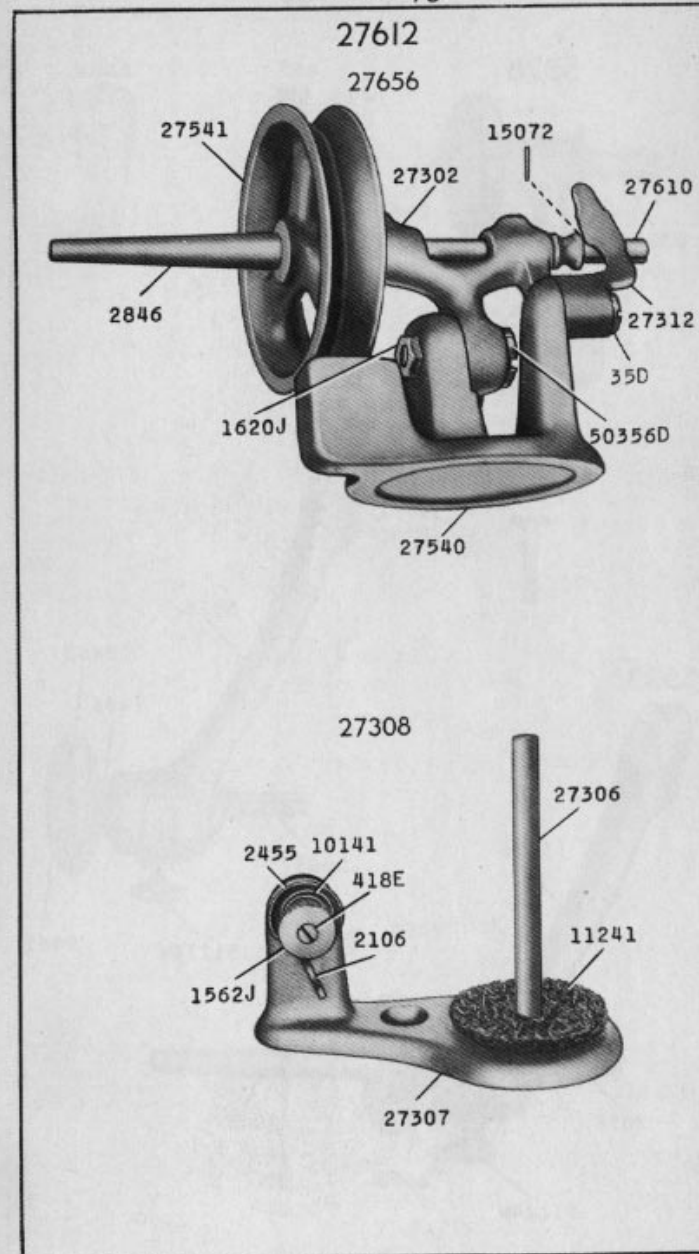
259431



24053 - 2/3

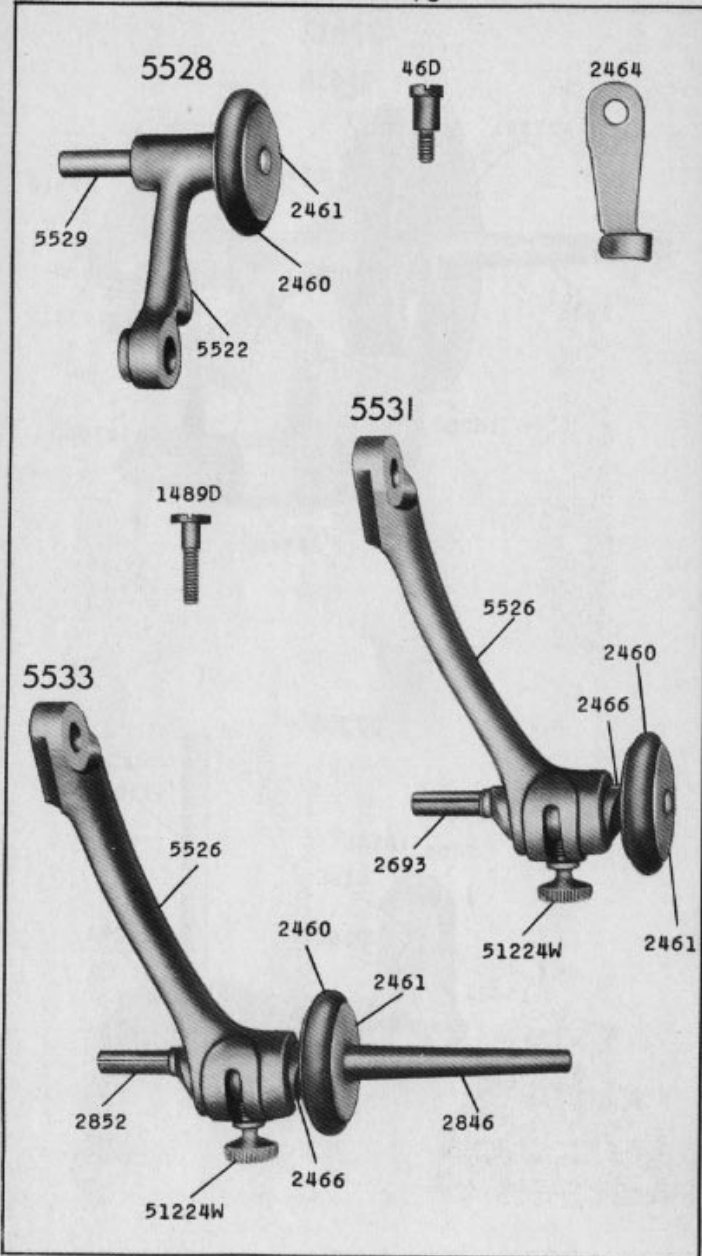


24151 - 2/3

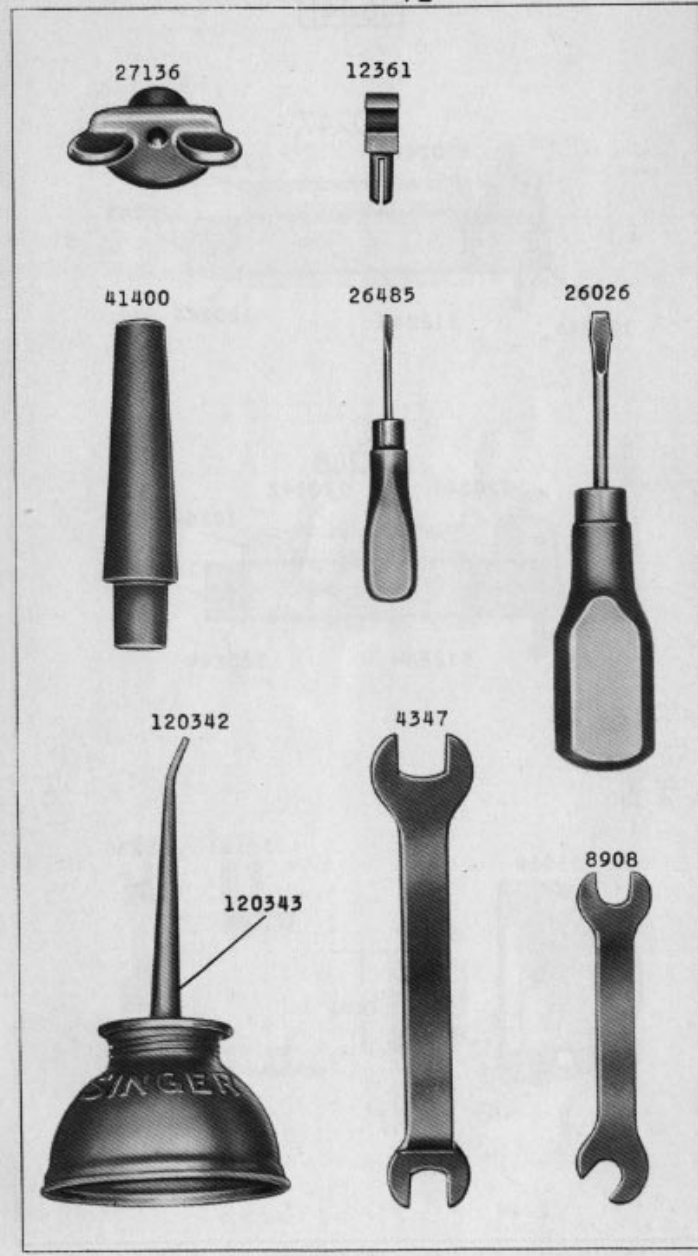


From the library of: Diamond Needle Corp

24152 - 2/3



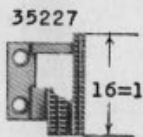
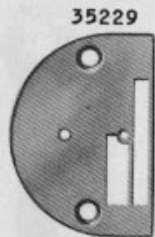
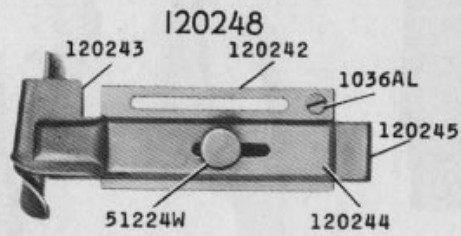
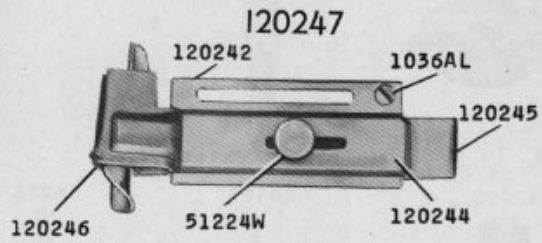
24153 - 1/2



From the library of: Diamond Needle Corp

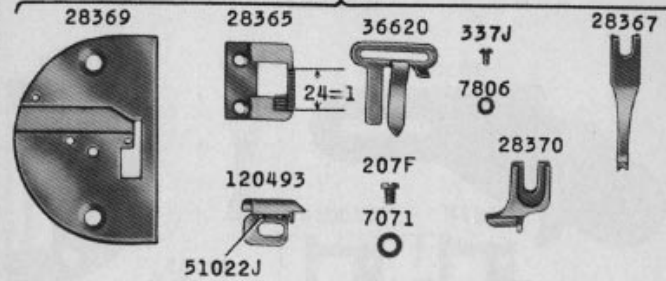
24154 - 1/2

16-141

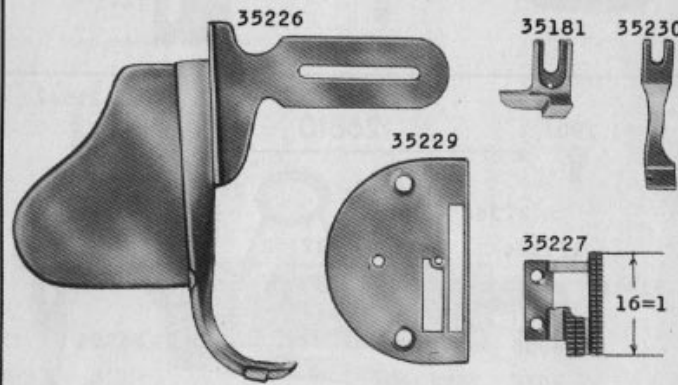
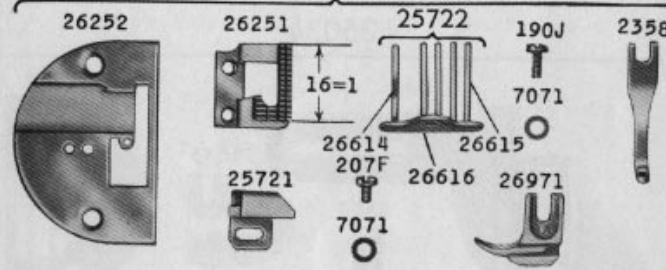


24155 - 1/2

28371



26972

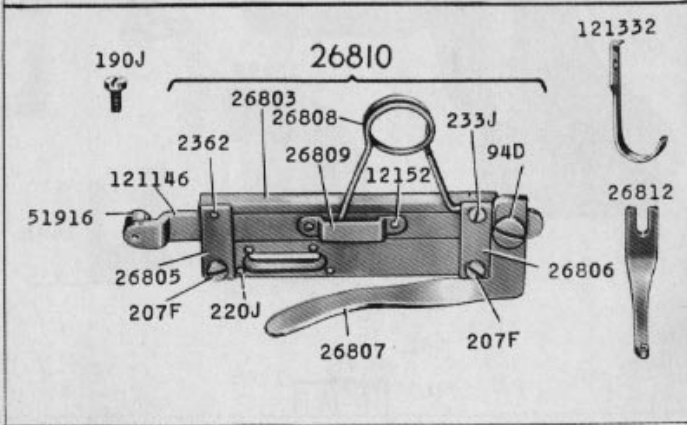
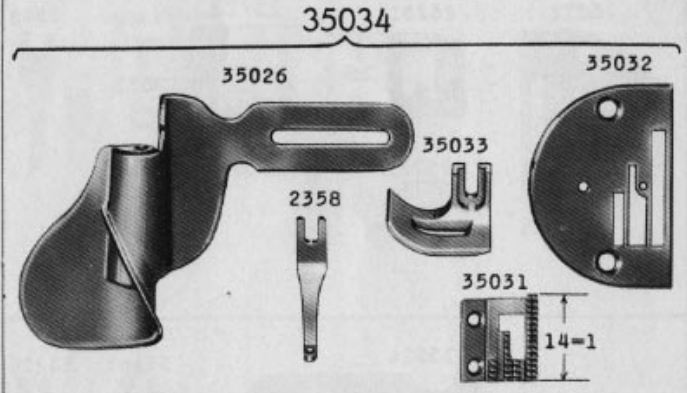
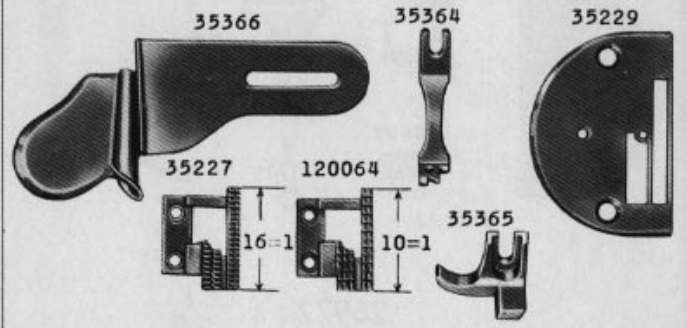


16-141

From the library of: Diamond Needle Corp

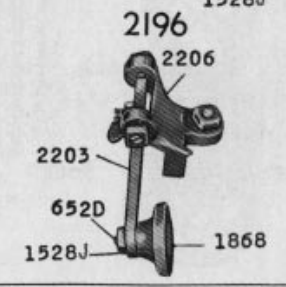
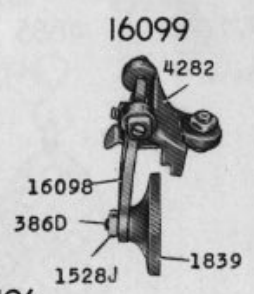
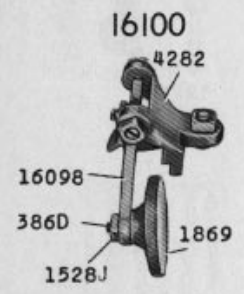
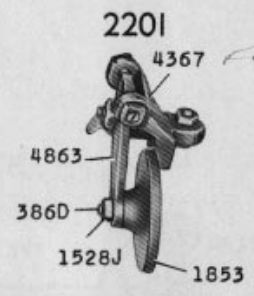
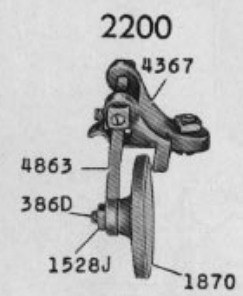
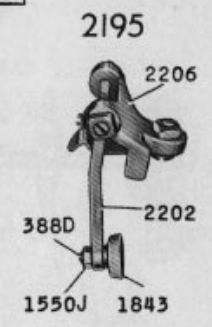
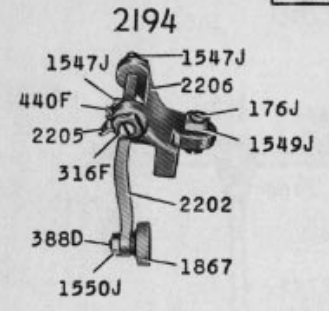
24156 - 1/2

16-141



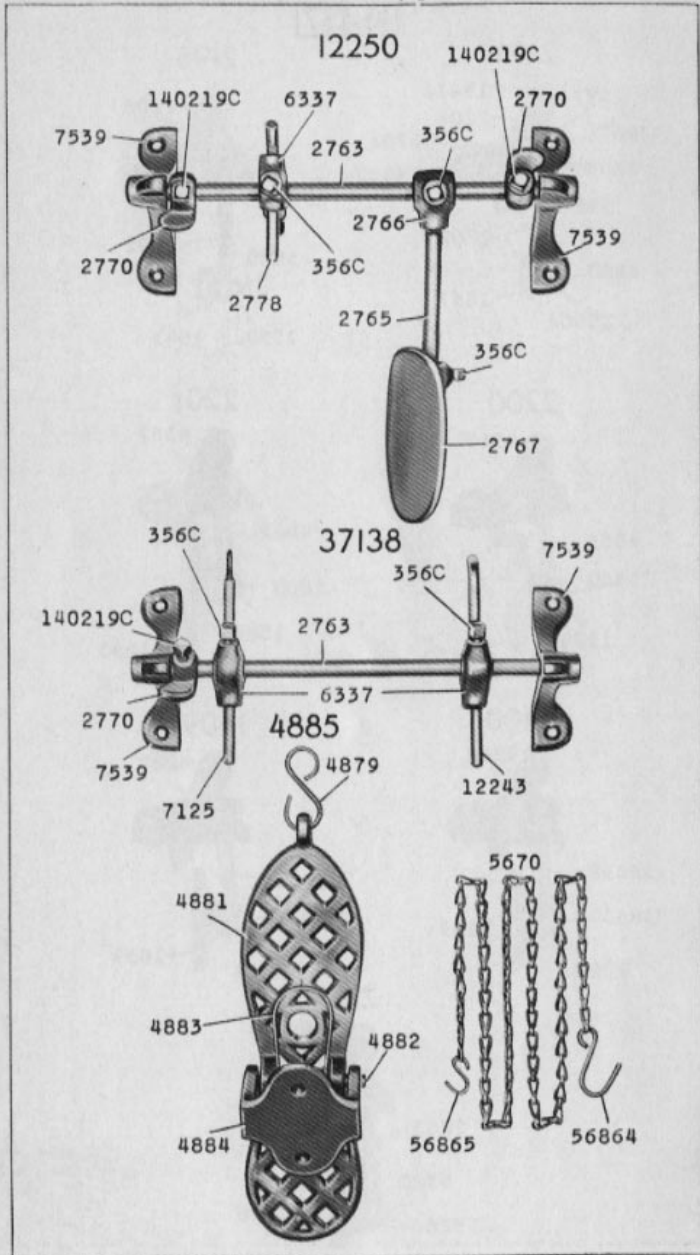
24157 - 1/2

16-137



From the library of: Diamond Needle Corp

24158 - 1/4



24159

16-137

